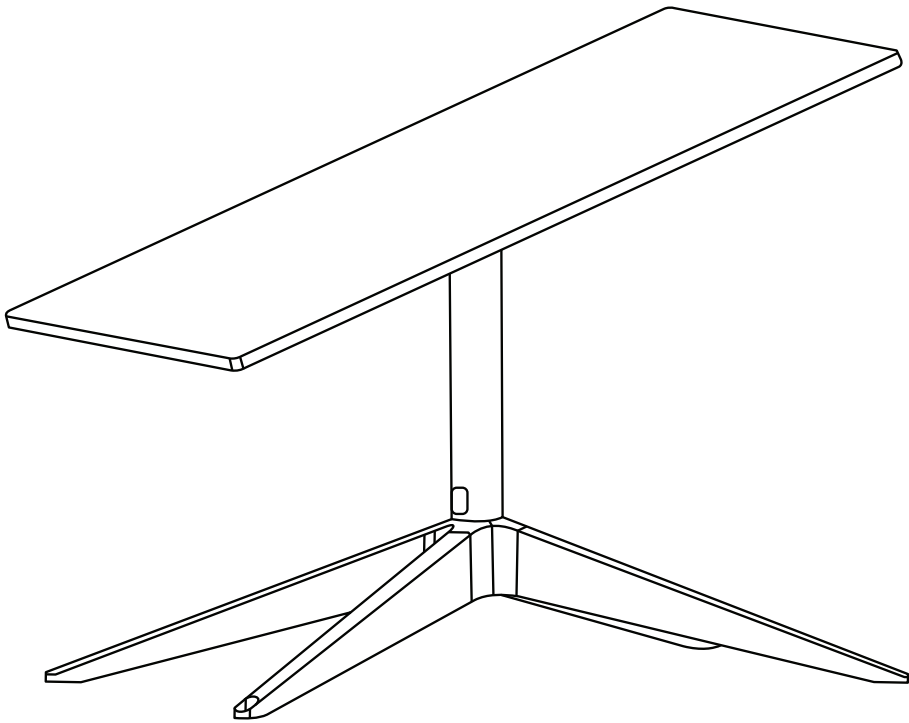
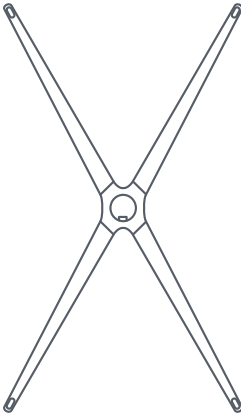


STARLINK | STANDARD X-FRAME BASE INSTALL GUIDE



What's in the Box



X-Frame Base



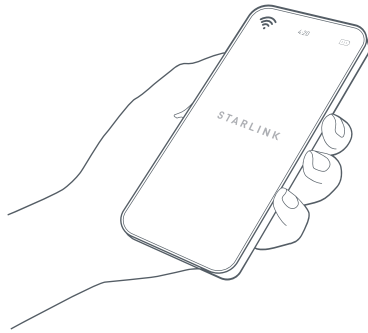
Mast Adapter



Mast

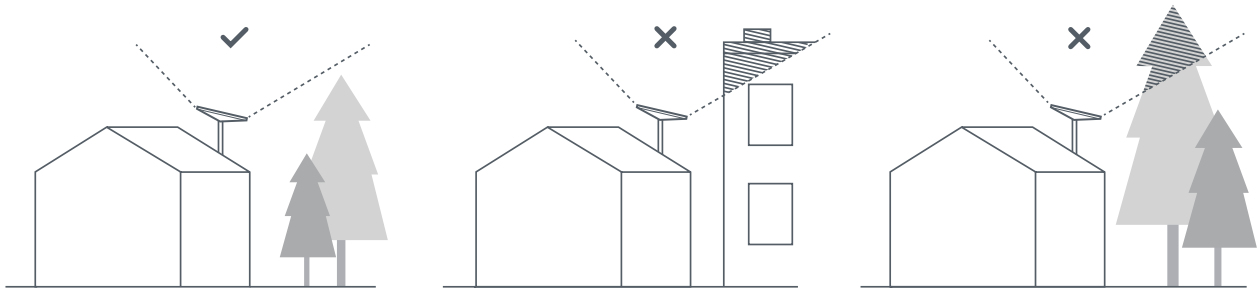
1 | Download the Starlink App

Scan the QR code to download the Starlink App.



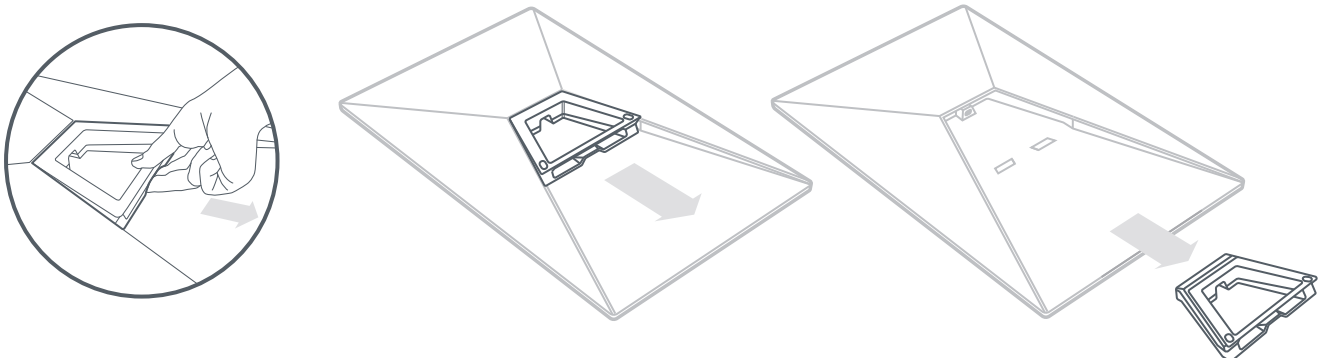
2 | Find Mounting Location

Your Starlink needs a clear view of the sky so it can stay connected with satellites as they move overhead. Objects that obstruct the connection between your Starlink and the satellite, such as a tree branch, pole, or roof, will cause service interruptions. Use the obstruction tool in the App to ensure you have selected a suitable mounting location.



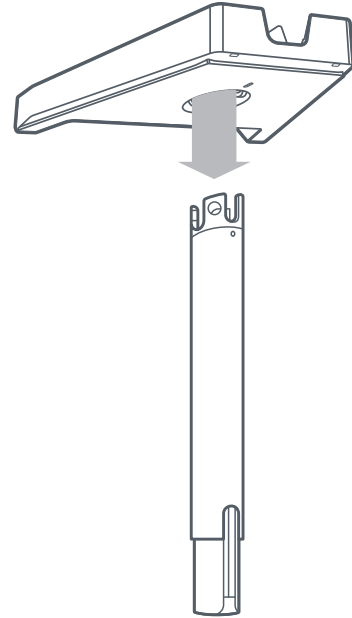
3 | Remove Kickstand

Squeeze the release tab and pull it away from its fixed location.



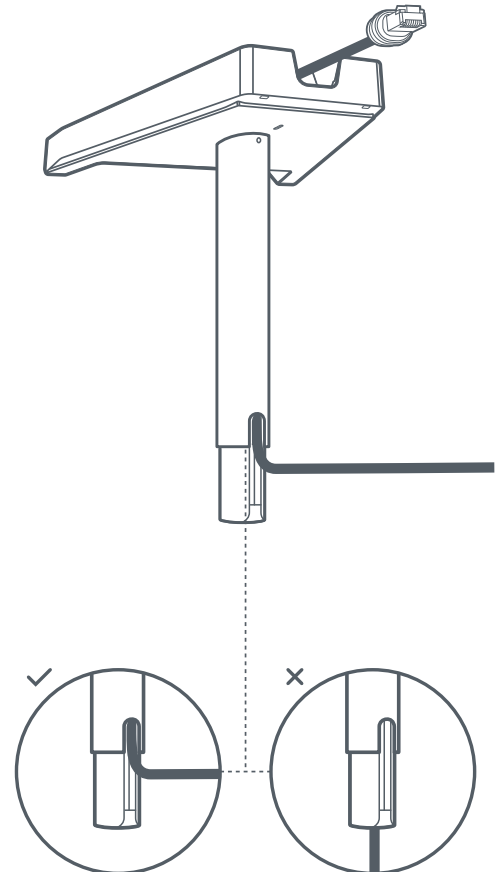
4 | Insert Mast

Insert the mast into the adapter until it clicks into place.



5 | Route Cable Through Mast

Insert the Starlink cable through the hole in the side of the mast and up through the slot in the adapter.

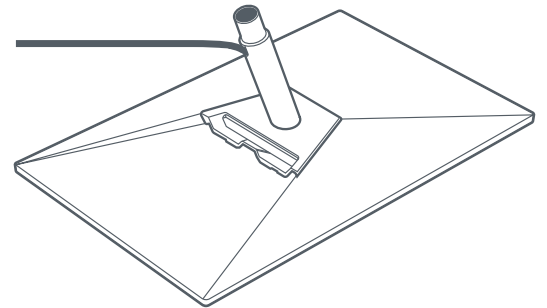
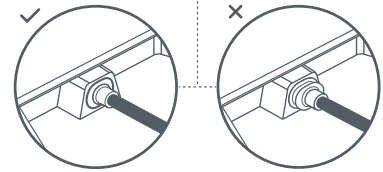
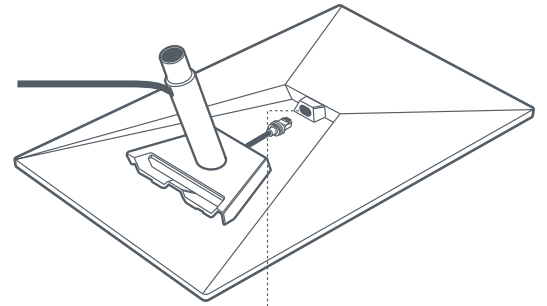


6 | Plug in Cable and Install Mast Adapter

Plug the cable into your Starlink.

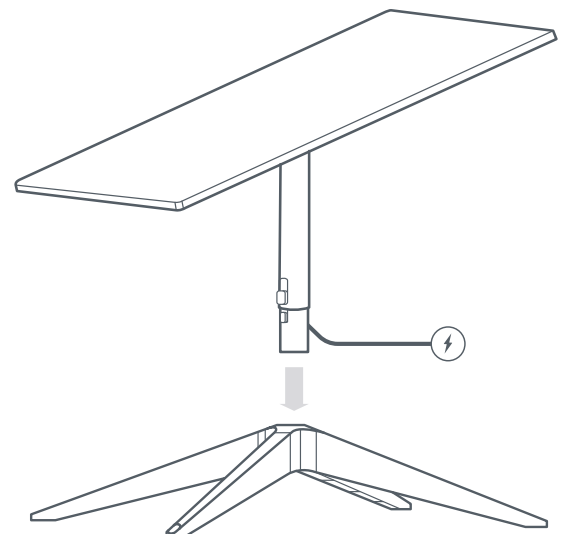
Ensure the plug is fully inserted such that the plug face is flush with the surface.

Next, slide the adapter in until it clicks into place.



7 | Install Starlink into X-Frame Base

Slide the mast into the X-Frame Base. Rotate your Starlink to face a clear view of sky.



8 | Align Your Starlink

An alert on the App will show if you need to rotate Starlink to be properly aligned.

Click the alert to use the alignment tool.

