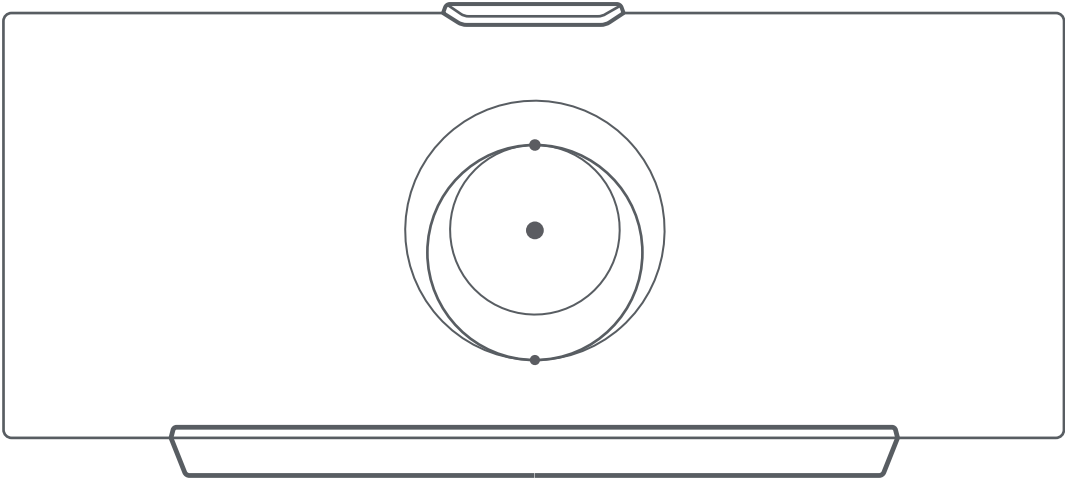
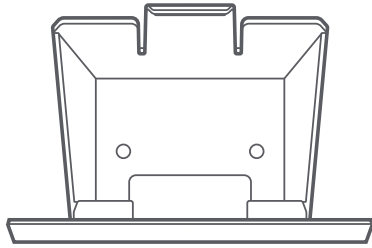


STARLINK | GEN 3 ROUTER MOUNT INSTALL GUIDE



What's in the Box



Router Mount

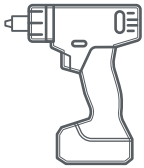


Screws
2x



Wall Anchors
2x

Recommended Tools



Drill / Impact Driver



Drill Bit
4 mm (5/32 in)
No Anchors



Drill Bit
7 mm (9/32 in)
With Anchors



#2 Phillips
Screwdriver

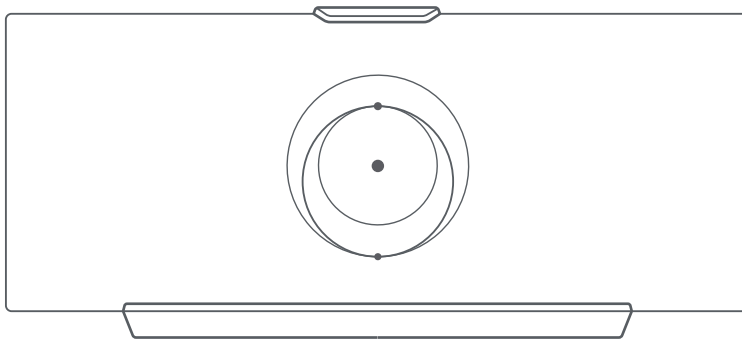


Marker

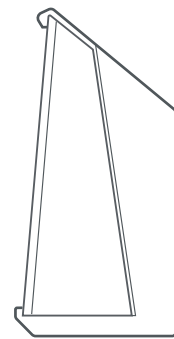


Level

132.5 mm
(5.2 in)



298.6 mm
(11.76 in)

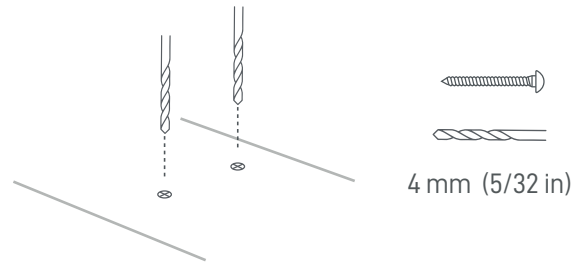


66 mm
(2.60 in)

NON-ANCHOR INSTALLATION

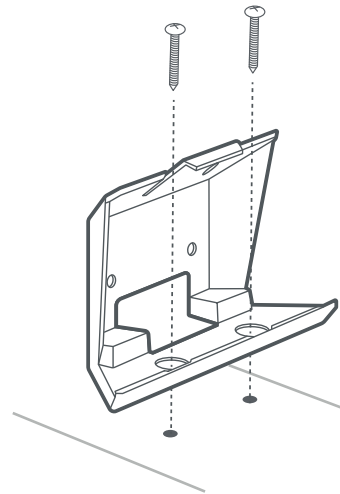
1 | Mark and Drill Mounting Holes

Use the mount as a guide to mark the hole locations, then drill using a 4mm (5/32 in) drill bit if not using the provided drywall anchors.



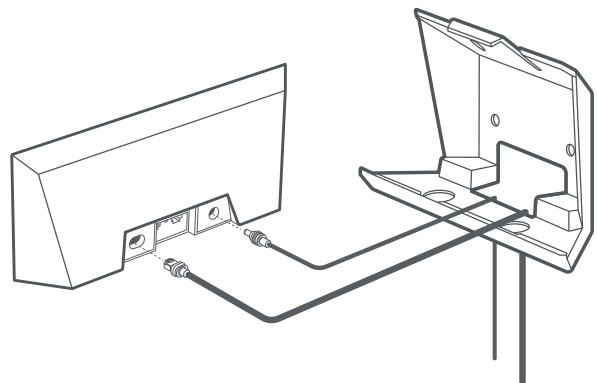
2 | Screw Mount to Surface

Secure the Mount using the provided screws.



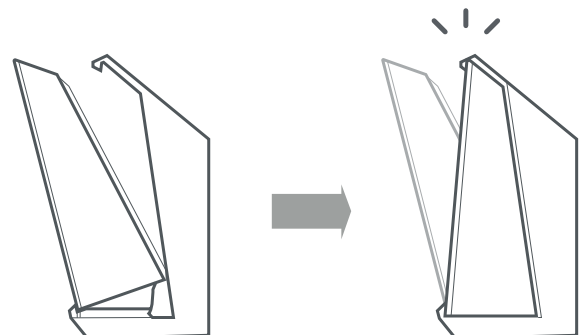
3 | Route Cables and Plug into Router

Route the power and Starlink cables through the opening in the mount and plug the cables into the router.



4 | Snap the Router into Mount

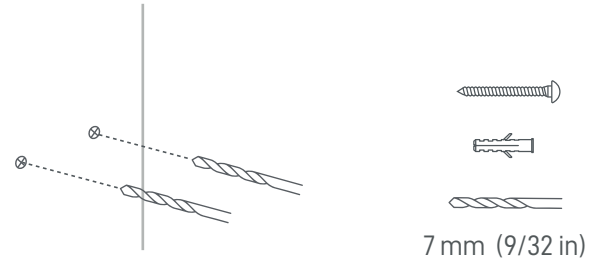
Fit the bottom edge of the router into the mount, then press the router into the mount until it clicks into place.



ANCHOR INSTALLATION

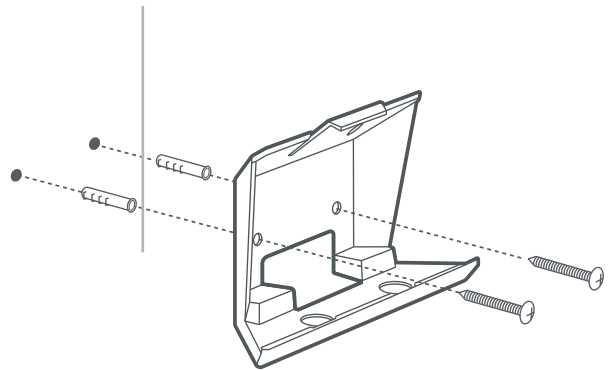
1 | Mark and Drill Mounting Holes

Use the mount as a guide to mark the hole locations, then drill using a 7mm (9/32 in) drill bit if intending to use the provided drywall anchors.



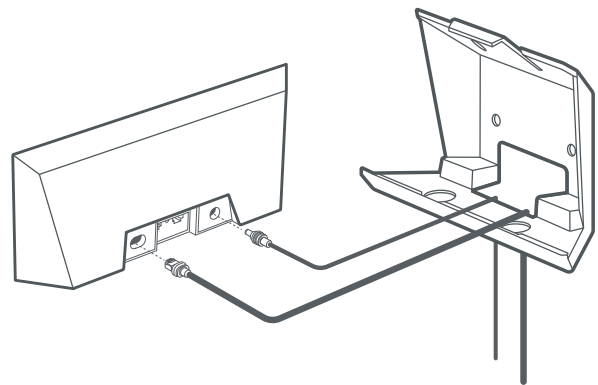
2 | Screw Mount to Surface

Install the drywall anchors into the holes, then secure the mount using the provided screws.



3 | Route Cables and Plug into Router

Route the power and Starlink cables through the opening in the mount and plug the cables into the router.



4 | Snap the Router into Mount

Fit the bottom edge of the router into the mount, then press the router into the mount until it clicks into place.

