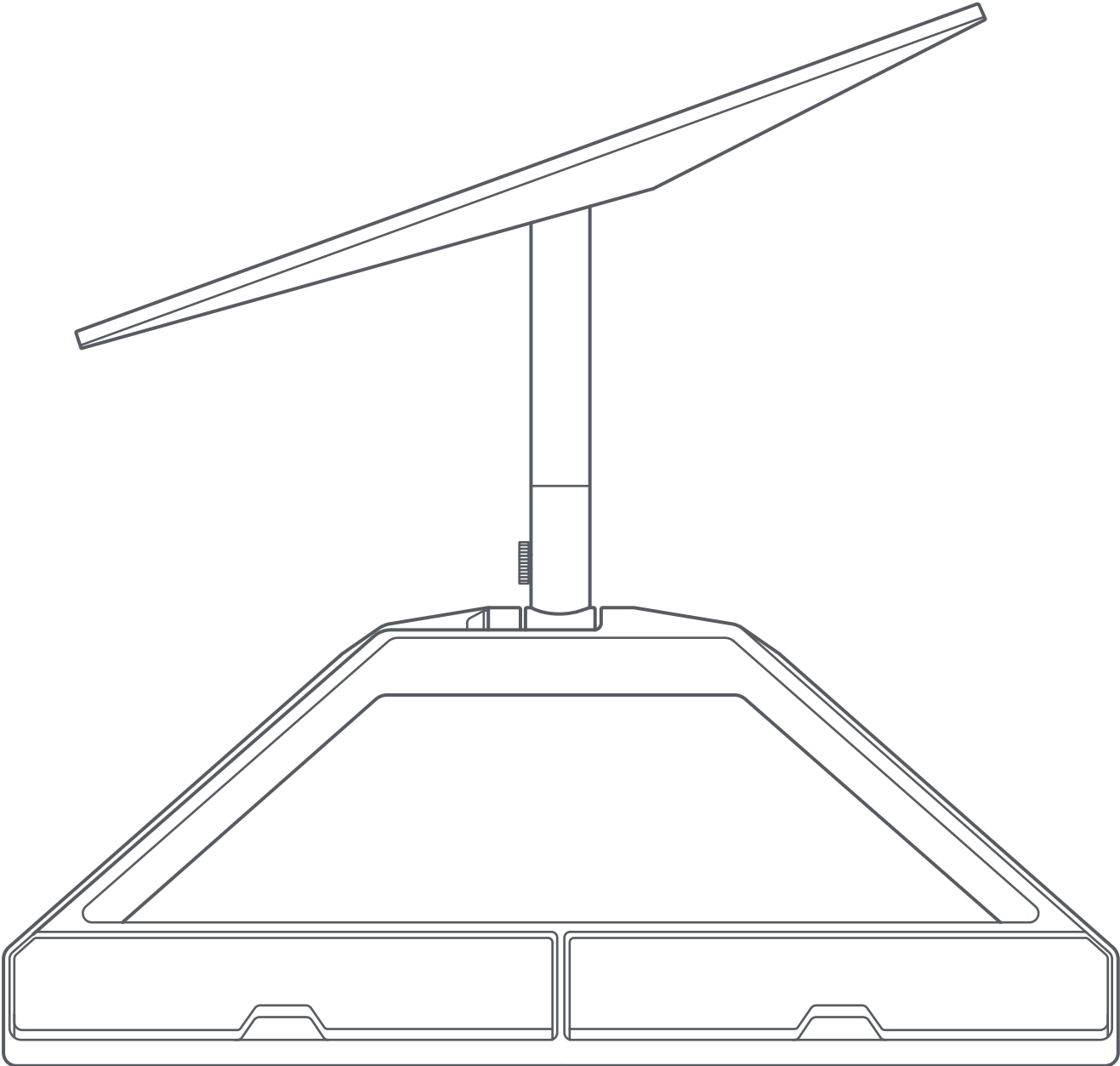
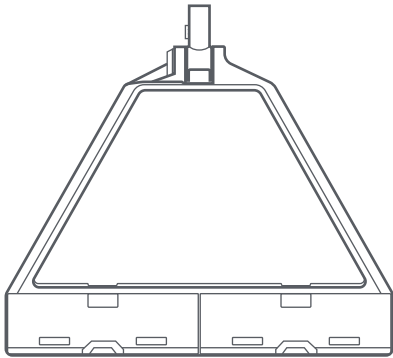


STARLINK | STANDARD RIDGELINE MOUNT INSTALL GUIDE



What's in the Box



Ridgeline Mount



Mast Adapter



Mast

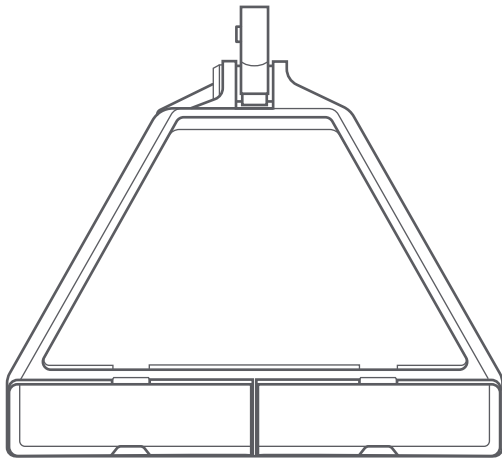


Ballast Weights
4x

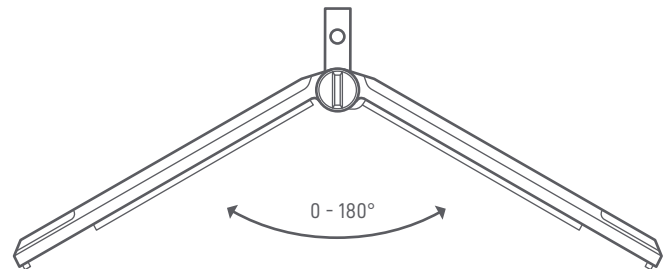


Cable Routing Clips
20x

612 mm
(24.1 in)



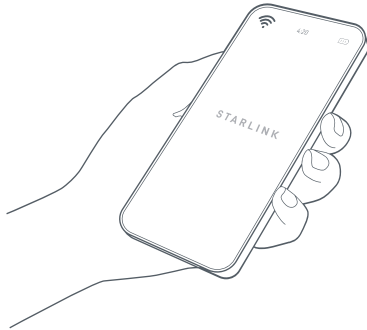
676 mm
(26.6 in)



0 - 180°

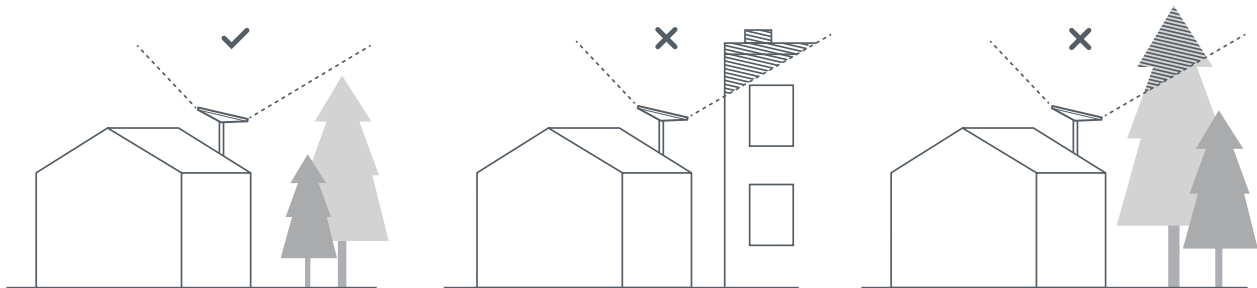
1 | Download the Starlink App

Scan the QR code to download the Starlink App.



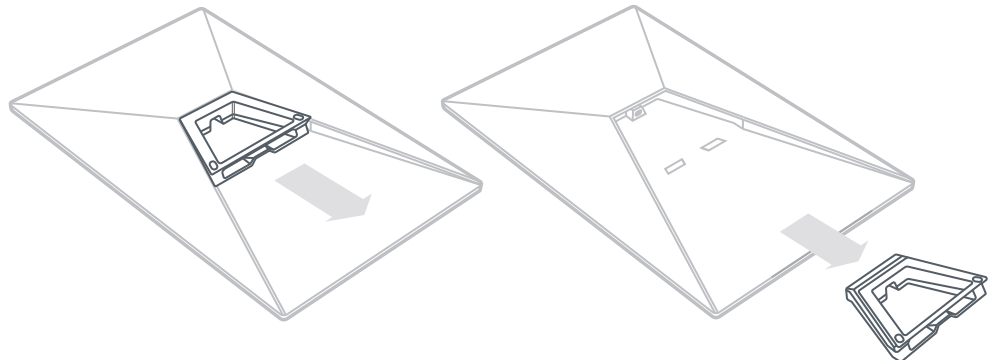
2 | Find Mounting Location

Your Starlink needs a clear view of the sky so it can stay connected with satellites as they move overhead. Objects that obstruct the connection between your Starlink and the satellite, such as a tree branch, pole, or roof, will cause service interruptions. Use the obstruction tool in the App to ensure you have selected a suitable mounting location.



3 | Remove Kickstand

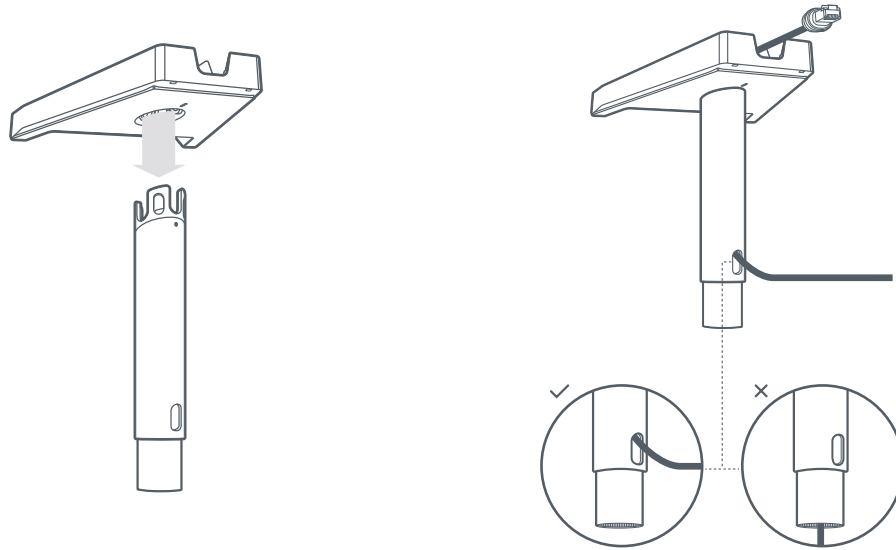
Squeeze the release tab and pull it away from its fixed location.



4 | Insert Mast Base and Route Cable Through Mast

Insert the mast into the adapter until it clicks into place.

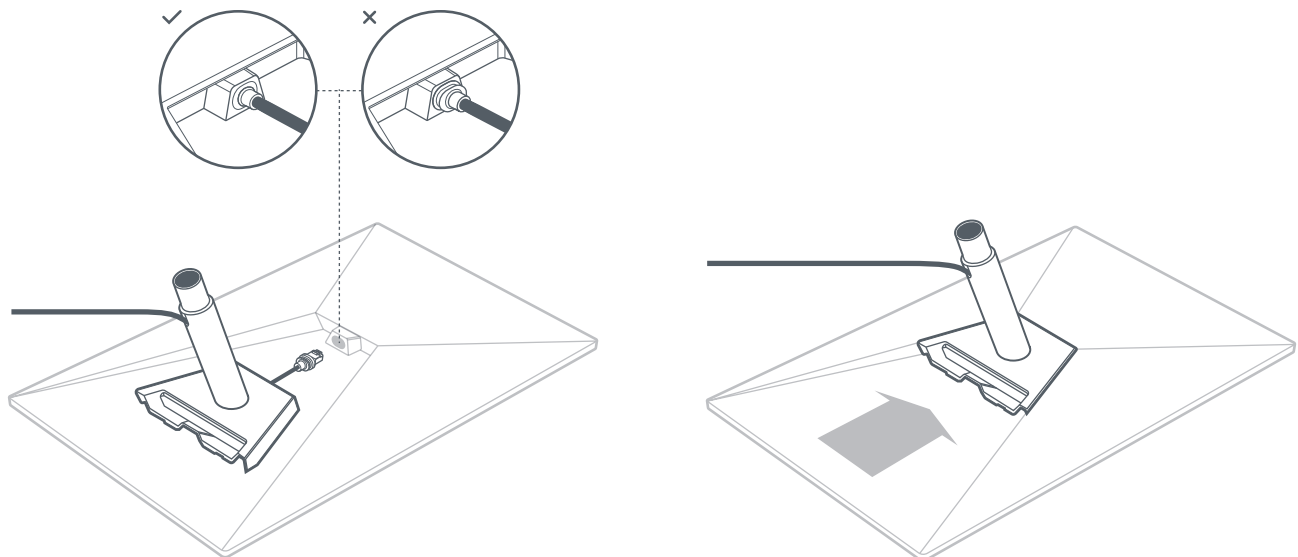
Insert the Starlink cable through the hole in the side of the mast and up through the slot in the adapter.



5 | Plug-In Cable and Install Mast

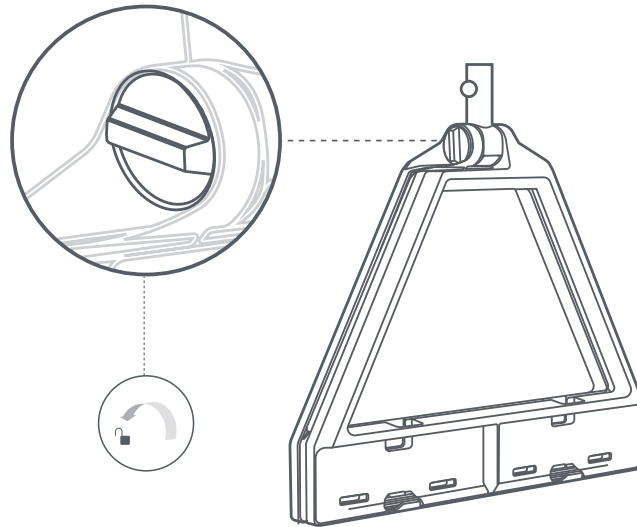
Plug the cable into your Starlink. Ensure the plug is fully inserted such that the plug face is flush with the surface.

Next, slide the mast in until it clicks into place.



6 | Unlock Mount

Twist the thumbscrew on the mount counter-clockwise to allow the arms to pivot outward.

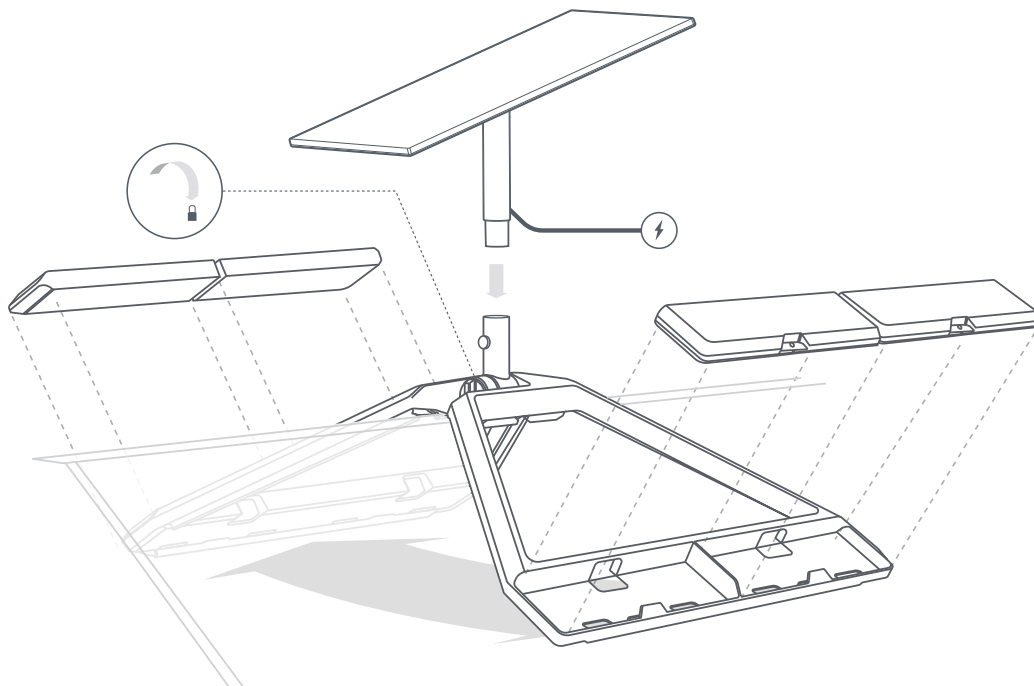


7 | Install on Roof

Open the mount arms to match the angle of your roof and place it in your chosen mounting location. Twist the thumbscrew clockwise to lock mount angle.

Next, install the 4 weights onto the mount by clicking them in place. Once the mount is installed, slide your Starlink mast into the mount and rotate your Starlink to face a clear view of the sky.

Power on your Starlink and step through the install process on the App.



8 | Align and Lock Your Starlink

An alert on the App will show if you need to rotate Starlink to be properly aligned.

Click the alert to use the alignment tool. Once aligned, tighten the thumb-screw on the mast to prevent rotation.

