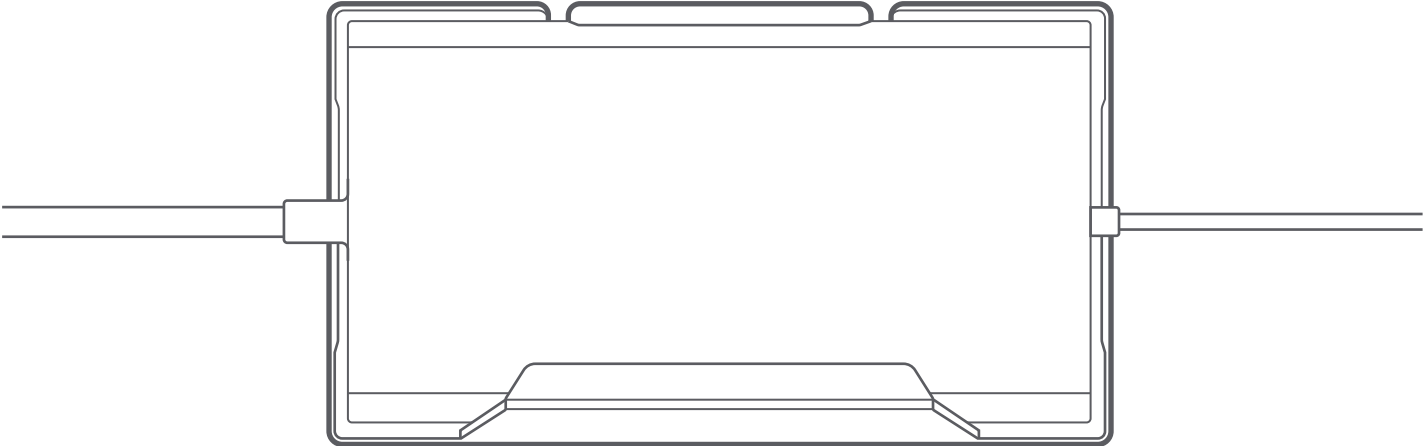
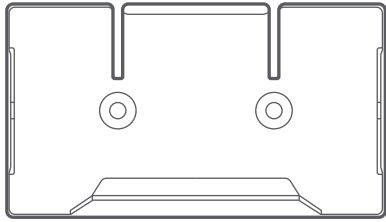


STARLINK | POWER SUPPLY MOUNT INSTALL GUIDE



**What's in the Box**



Power Supply Mount

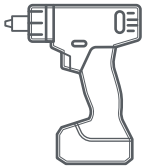


Screws  
2x



Wall Anchors  
2x

**Recommended Tools**



Drill / Impact Driver



Drill Bit  
4 mm (5/32 in)  
No Anchors



Drill Bit  
7 mm (9/32 in)  
With Anchors



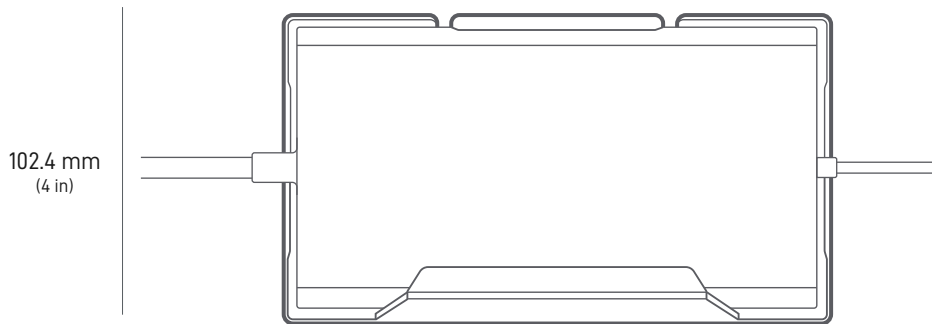
#2 Phillips  
Screwdriver



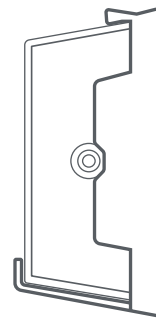
Marker



Level



181 mm  
(7.13 in)

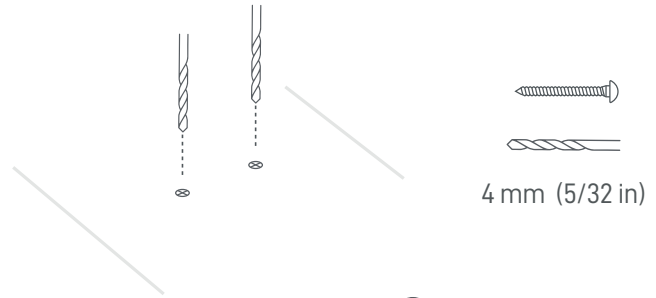


48.75 mm  
(1.92 in)

**NON-ANCHOR INSTALLATION**

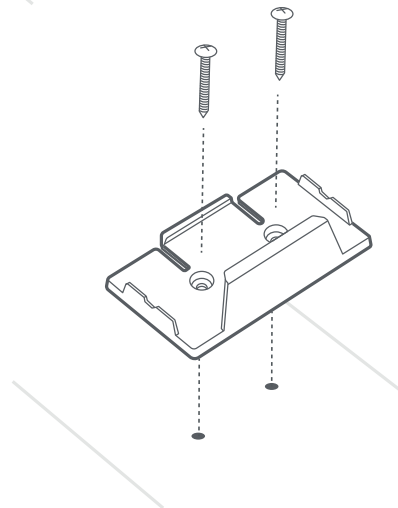
**1 | Mark and Drill Mounting Holes**

Use the mount as a guide to mark the hole locations, then drill using a 4mm (5/32 in) diameter drill bit if not using the provided drywall anchors



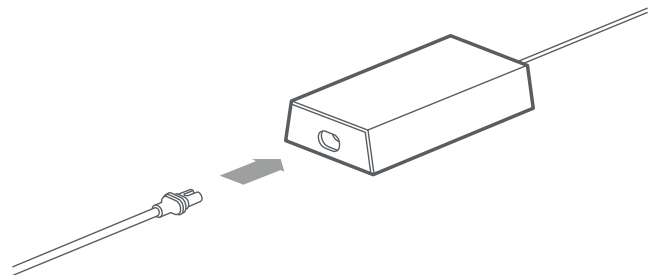
**2 | Screw Mount to Surface**

Secure the mount using the provided screws.



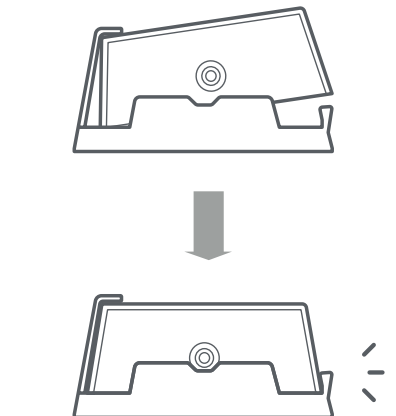
**3 | Plug in Power Supply**

Plug the power cable into the power supply.



**4 | Snap the Power Supply into Mount**

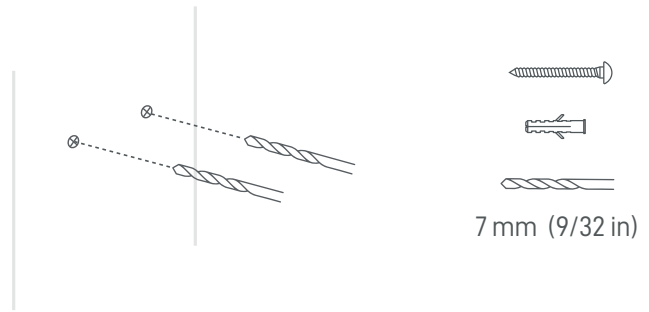
Fit the bottom edge of the router into the mount, then press the router into the mount until it clicks into place.



**ANCHOR INSTALLATION**

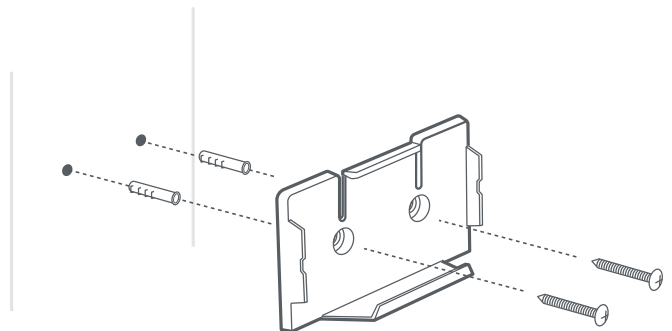
**1 | Mark and Drill Mounting Holes**

Use the mount as a guide to mark the hole locations, then drill using a 7mm (9/32 in) diameter drill bit if intending to use the provided drywall anchors



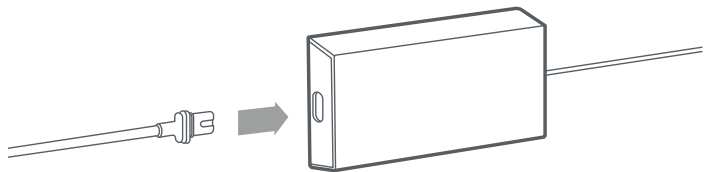
**2 | Screw Mount to Surface**

Install the drywall anchors into the holes, then secure the mount using the provided screws.



**3 | Plug in Power Supply**

Plug the power cable into the power supply.



**4 | Snap the Power Supply into Mount**

Fit the bottom edge of the router into the mount, then press the router into the mount until it clicks into place.

