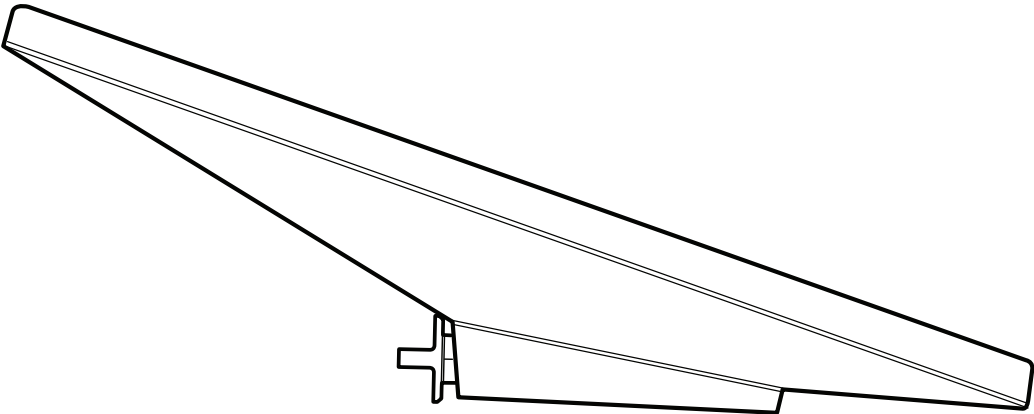
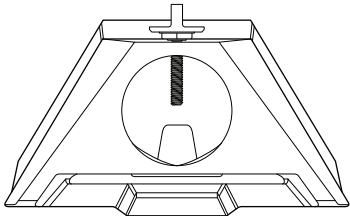


STARLINK | PIPE ADAPTER INSTALL GUIDE

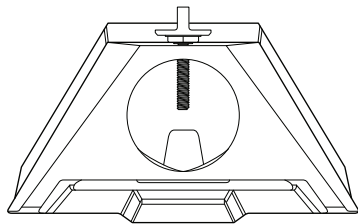


What's In The Box



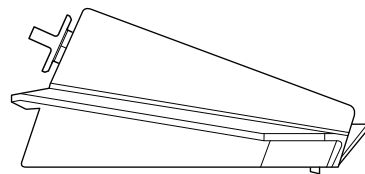
Pipe Adapter

101.5 mm  
(4 in)



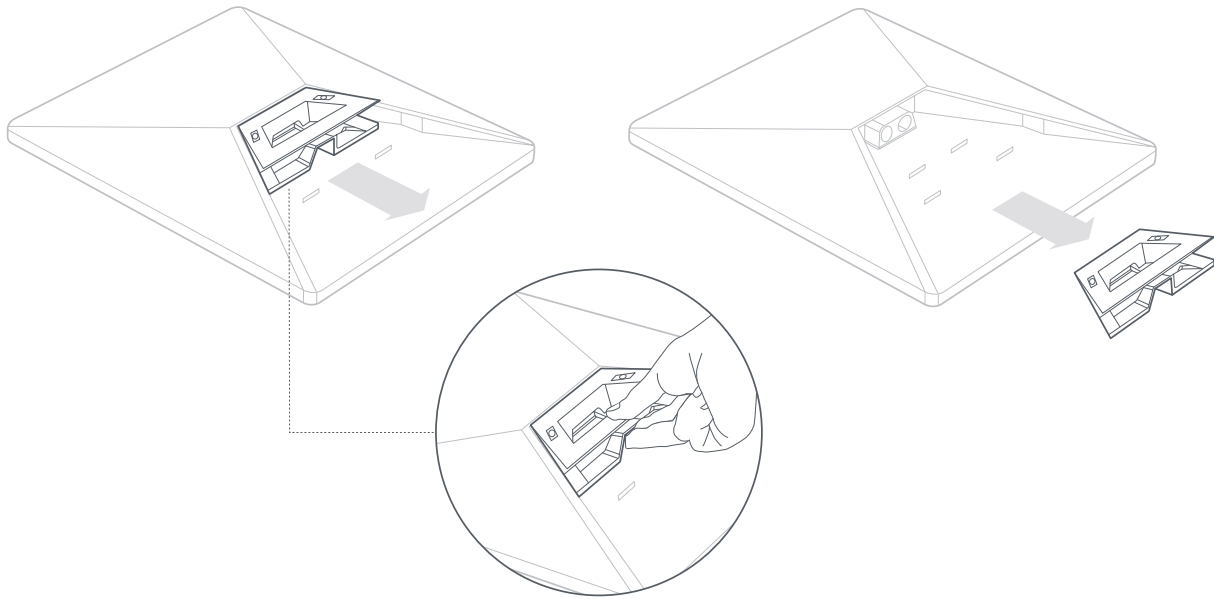
172 mm  
(6.77in)

44.7 mm  
(1.76 in)



## 1 | Remove Kickstand

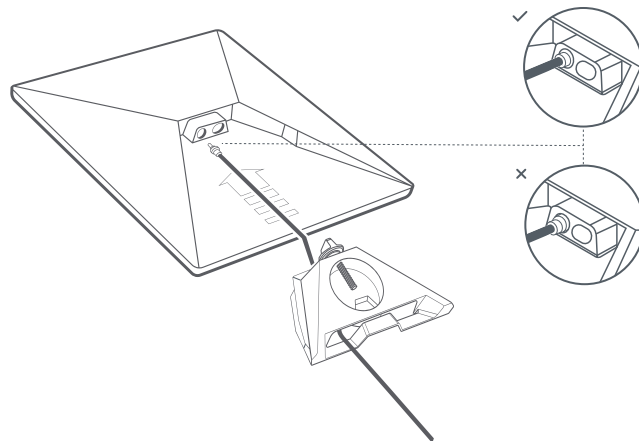
Squeeze the release tab and pull it away from its fixed location.



## 2 | Route Cable Through Pipe Adapter and Plug In Cable

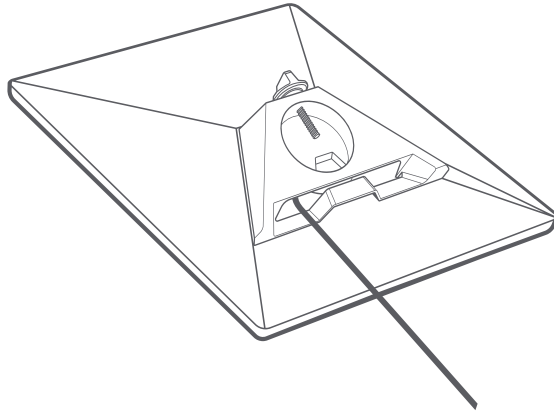
Route the Starlink cable through the opening in the pipe adapter and out the front end.

Plug the cable into your Starlink and ensure the plug is fully inserted such that the plug face is flush with the surface.



### 3 | Install Pipe Adapter

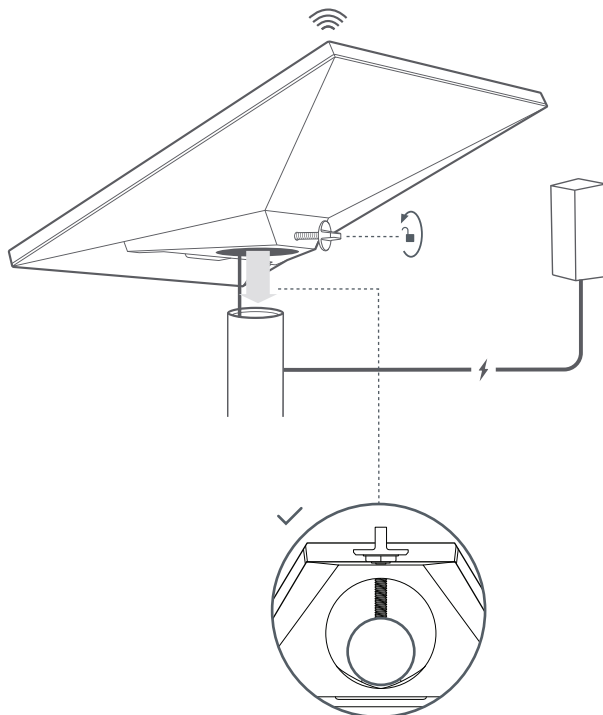
Slide the mount into your Starlink until it clicks into place and pipe adapter is fully inserted on both sides.



### 4 | Mount Starlink to Pipe

Loosen the locking thumbscrew and slide the Pipe Adapter onto your mounting pipe. Temporarily tighten the thumbscrew to stabilize Starlink onto pipe.

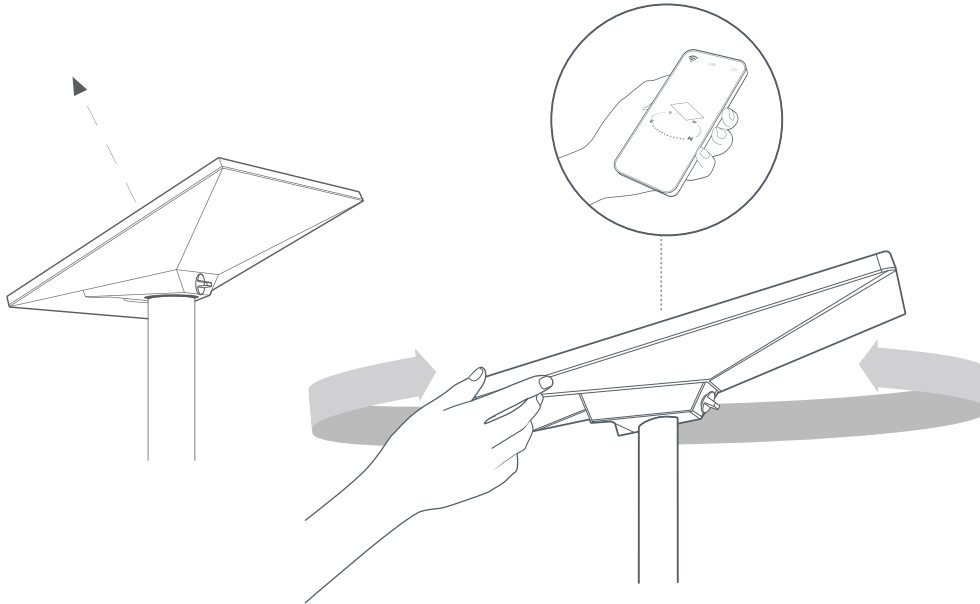
Connect the other end of the Starlink cable to the power supply and plug it into power outlet.



## 5 | Align Your Starlink

An alert on the App will show if you need to rotate Starlink to be properly aligned.

Click the alert to use the alignment tool.



## 6 | Lock Alignment

Tighten the thumbscrew on the Pipe Adapter Mount to lock your Starlink in place.

Ensure your Starlink is firmly attached.

