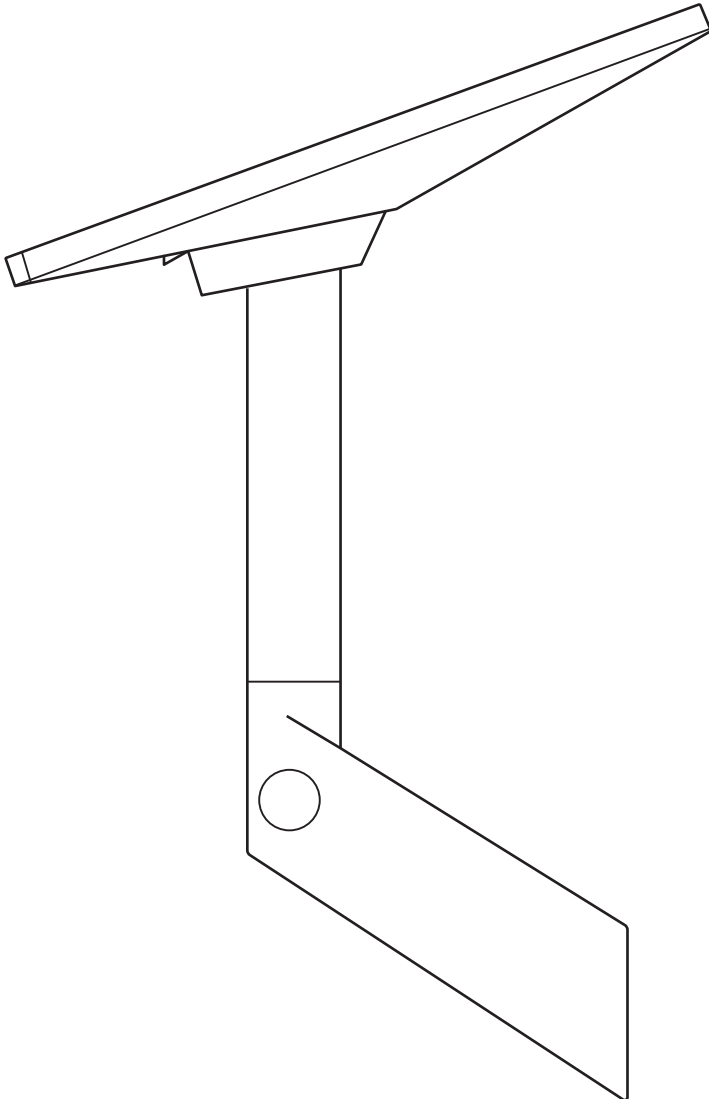


STARLINK | MINI WALL MOUNT INSTALL GUIDE



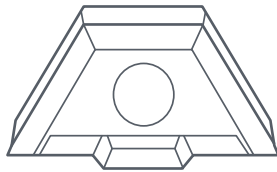
What's in the Box



Wall Mount



Closeout Cap



Mast Adapter



Mast



Silicone

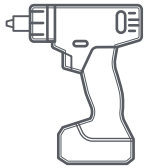


Lag Screws
2x
3/8 in x 3.5 in



Cable Routing Clips
20x

Recommended Tools



Drill / Impact Driver



Drill Bit
6 mm (1/4 in)



Hex Socket
9/16 in

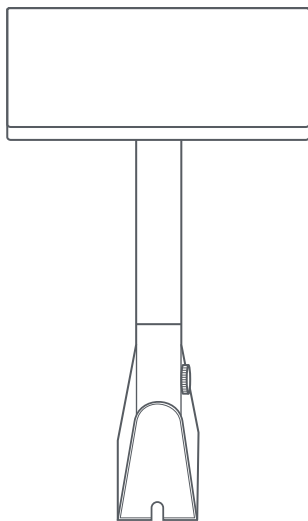


Marker



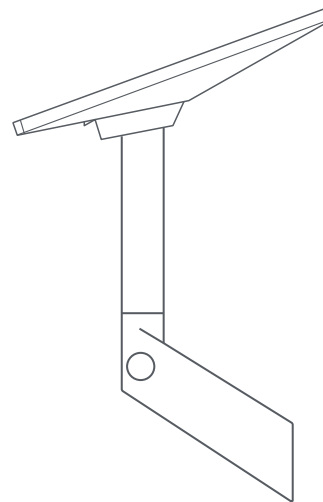
Level

438mm
(17.2 in)



72 mm
(2.8 in)

325 mm
(12.8 in)

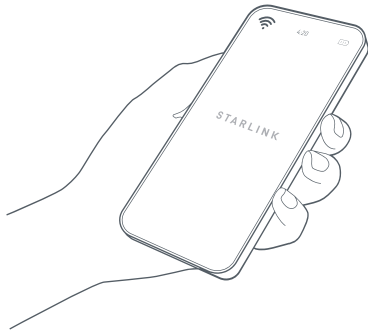


70 mm
(2.75 in)

155 mm
(6.1 in)

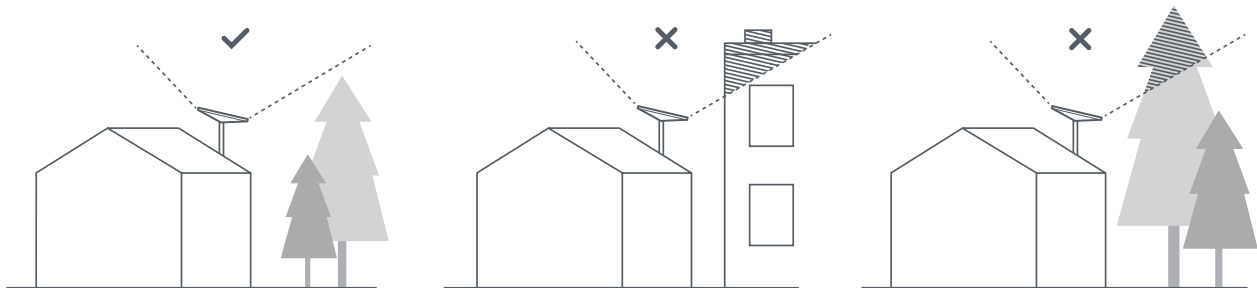
1 | Download the Starlink App

Scan the QR code to download the Starlink App.



2 | Find Mounting Location

Your Starlink needs a clear view of the sky so it can stay connected with satellites as they move overhead. Objects that obstruct the connection between your Starlink and the satellite, such as a tree branch, pole, or roof, will cause service interruptions. Use the obstruction tool in the App to ensure you have selected a suitable mounting location.



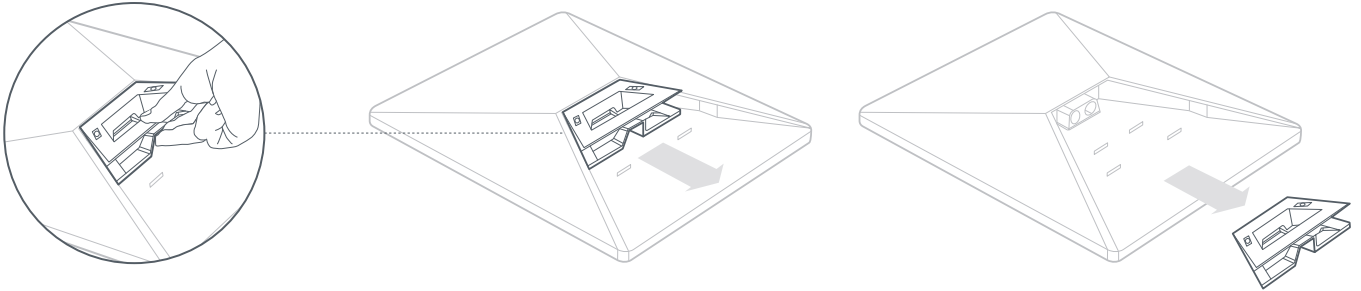
3 | Install with Clearance to Structures

Ensure the mounting location provides enough clearance for your Starlink, which may need to rotate to be properly aligned.



4 | Remove Kickstand

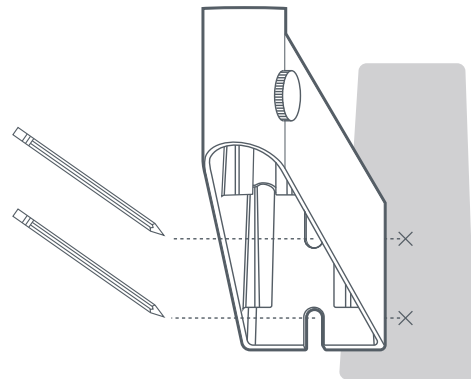
Squeeze the release tab and pull it away from its fixed location.



5 | Mark the Pilot Holes

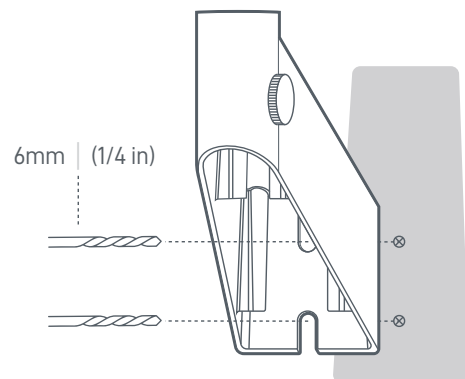
Mark the location of the two holes on your wall mount using a marker.

Place the holes directly over a structural beam to best secure your Starlink.



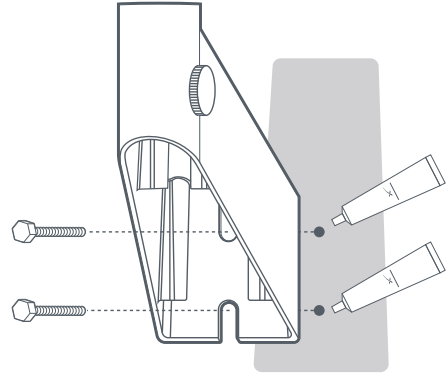
6 | Drill the Pilot Holes

Drill the holes with a 6 mm (1/4 in) drill bit.



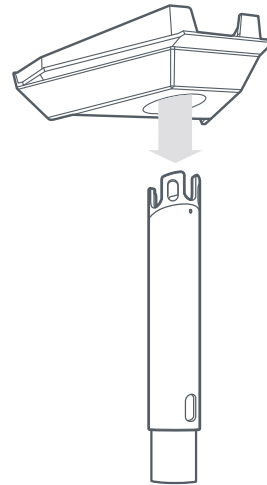
7 | Apply Sealant and Screw in Wall Mount

Apply silicone inside and over the holes. Screw in the mount using the provided screws.



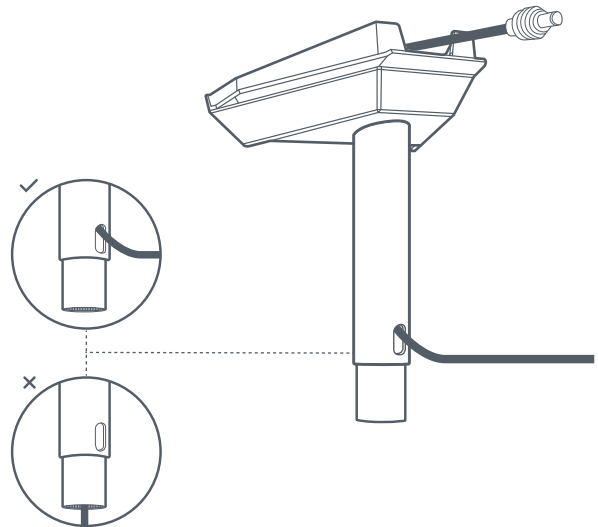
8 | Insert Mast Base

Insert the mast into the adapter until it clicks into place.



9 | Route Cable Through Mast

Insert the DC Power Cable through the hole in the side of the mast and up through the slot in the adapter.

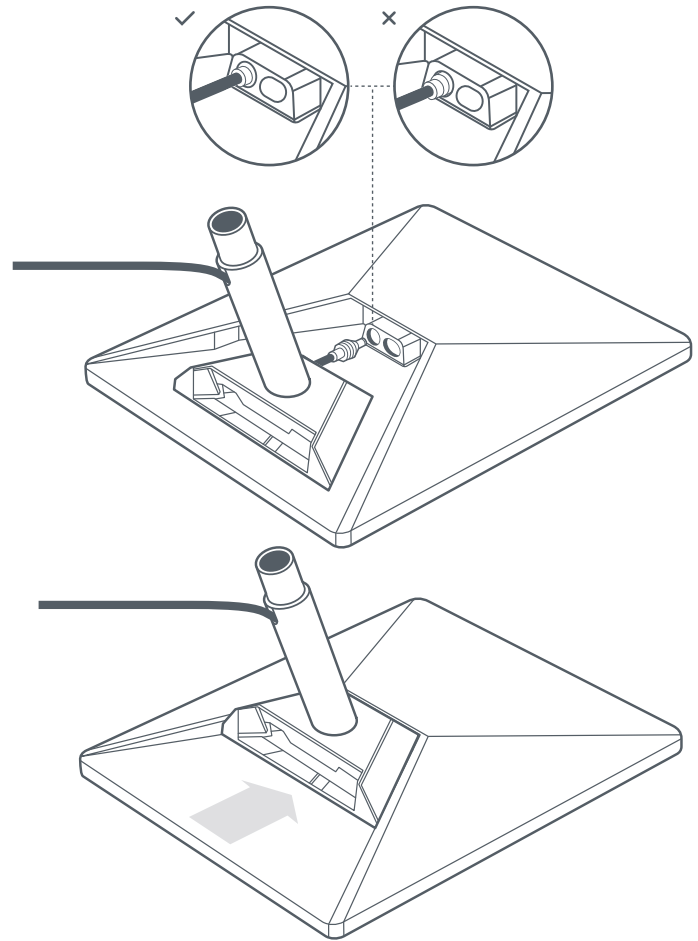


10 | Plug-In Cable and Install Mast

Plug the cable into your Starlink.

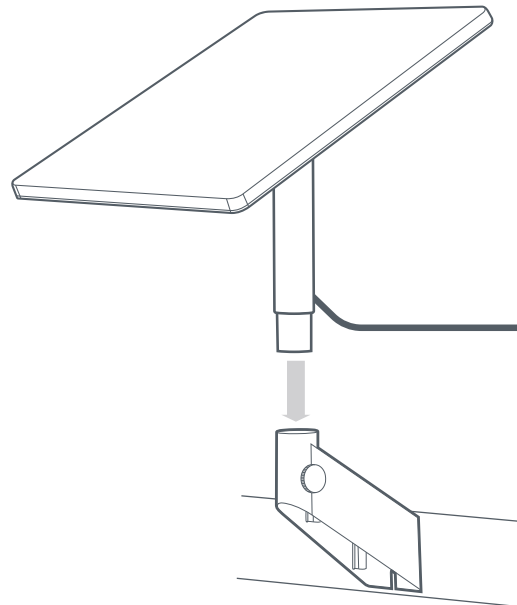
Ensure the plug is fully inserted such that the plug face is flush with the surface.

Next, slide the mast in until it clicks into place.



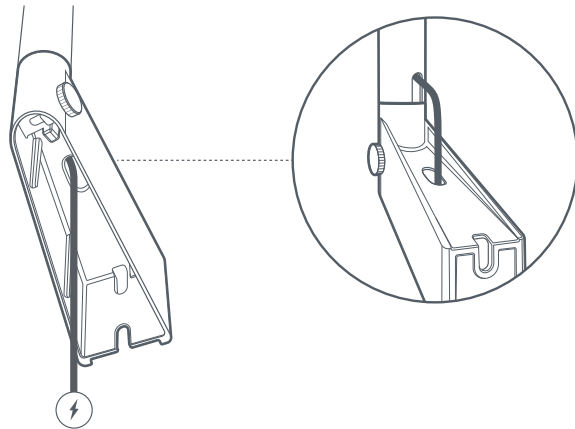
11 | Insert Starlink into Wall Mount

Slide the mast into the wall mount. Rotate your Starlink to face a clear view of the sky.



12 | Feed Cable Through Wall Mount

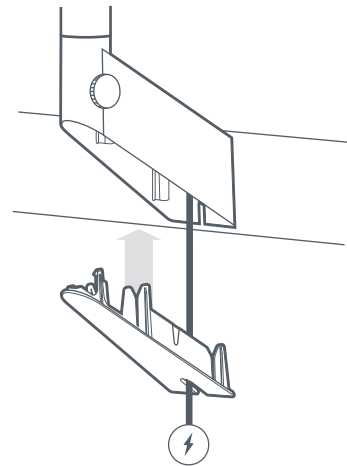
Feed the DC Power Cable through the hole in the top side of the wall mount.



13 | Install Cover

Install the cover and feed the cable through.

Connect the DC Power Cable to the power supply and connect to power.



14 | Align and Lock Your Starlink

An alert on the App will show if you need to rotate Starlink to be properly aligned.

Click the alert to use the alignment tool. Once aligned, tighten the thumb-screw on the mast to prevent rotation.

