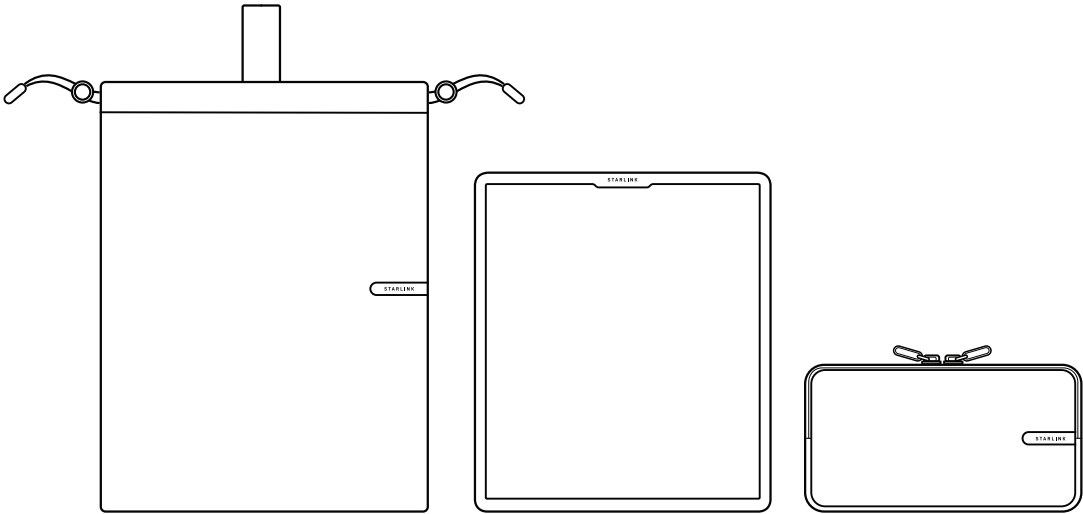
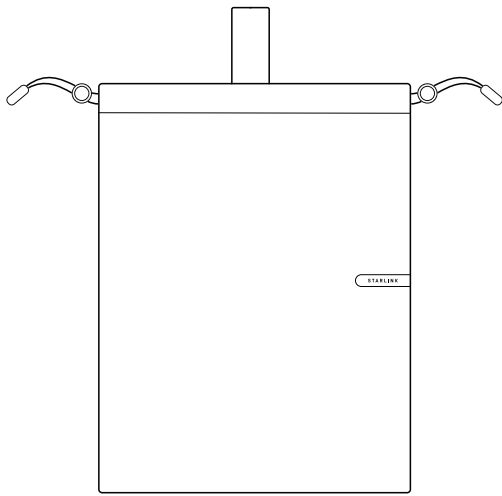


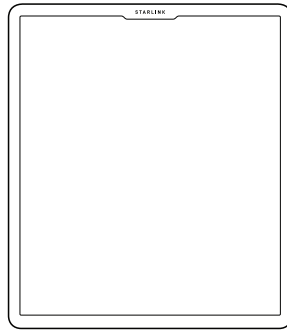
STARLINK | MINI TRAVEL KIT



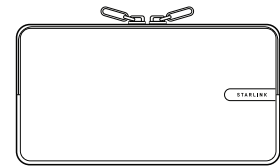
What's in the Box



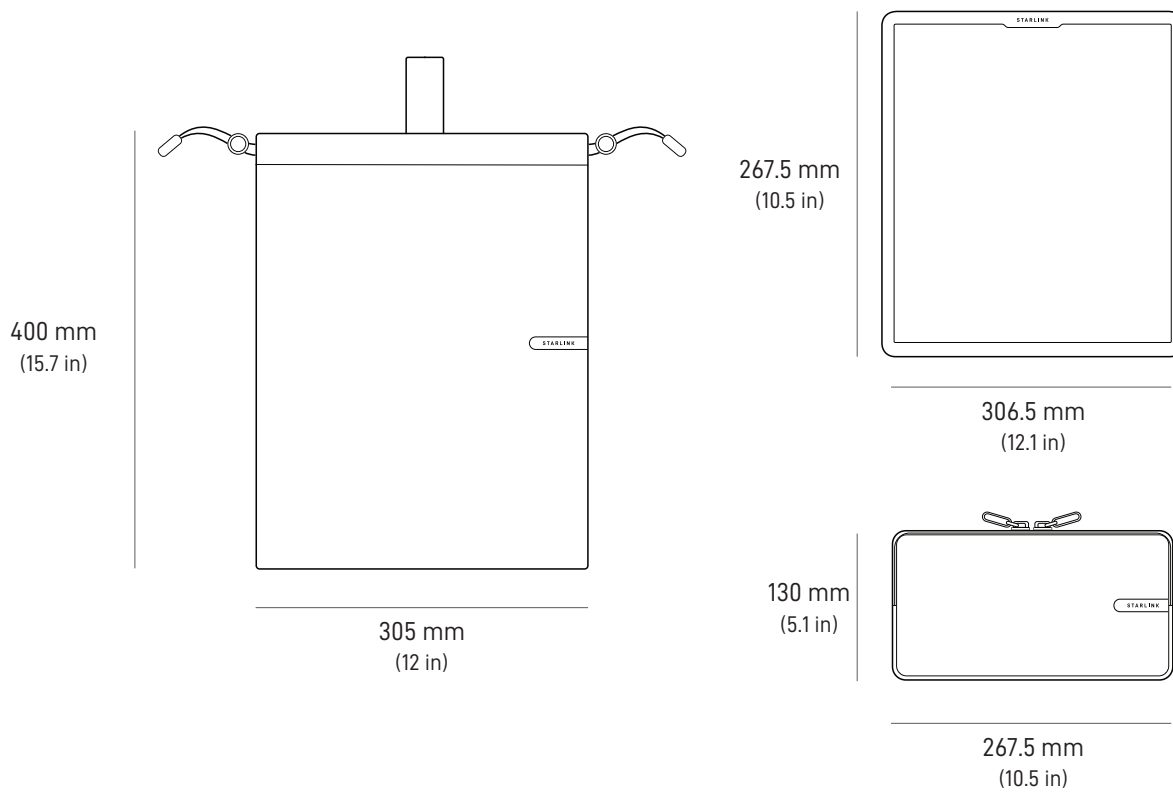
Mini Travel Sleeve



Mini Bumper Case

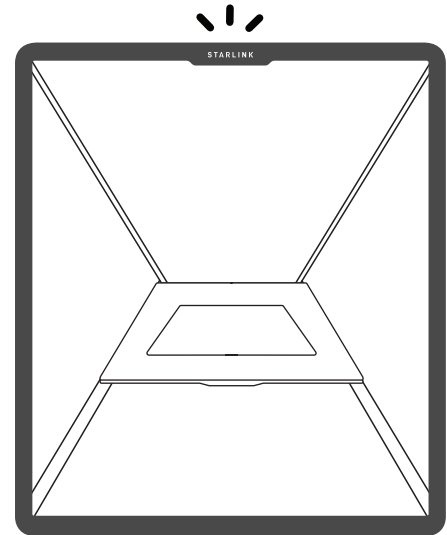


Accessories Bag



1 | Install Bumper Case

Ensure the Starlink logo is aligned to the back and top of the Starlink Mini, correctly oriented so it is legible. Insert the top corner of the Starlink Mini into the bumper case and slowly work around all edges until the case is fully installed.



2 | Removal

The Bumper Case is designed with a snug fit to better protect your Mini. To remove the Mini from the Bumper Case, start with the "Starlink" logo face up and firmly pull one corner of the case until it pops partially off the Mini. Continue with the other three corners to separate the case from the Mini and pull firmly to fully remove.

