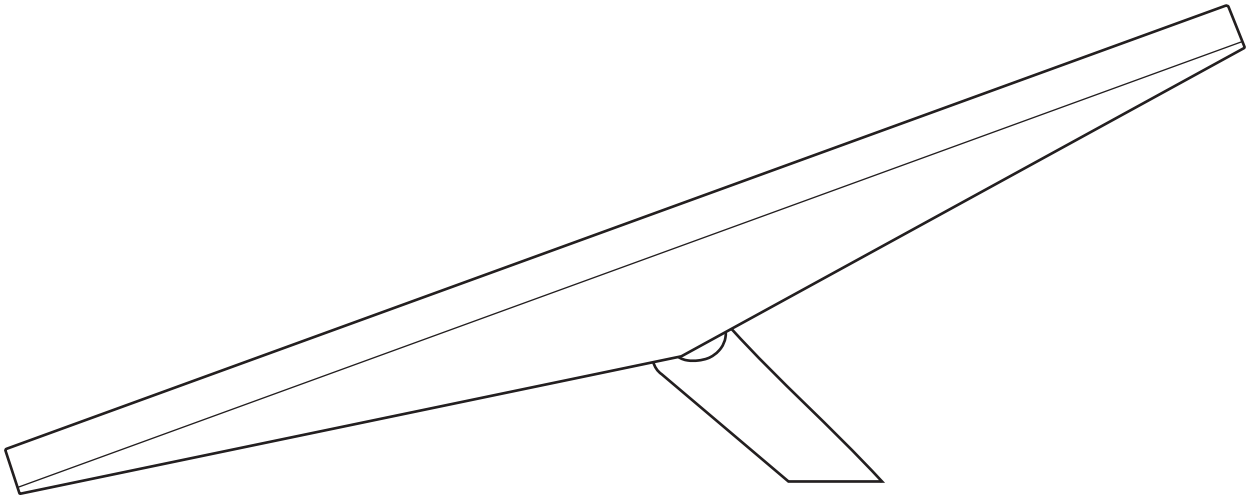


STARLINK | MINI ACCESSORIES



Available to purchase after receiving your order confirmation email.

The Starlink Mini Wall Mount is designed for installation on an exterior wall near the top of the gable or fascia. This wall mount can accommodate a 4" overhang maximum and offers a secure, long-reaching platform to optimize the placement of your Starlink for the best connectivity and performance.

Crafted from durable, weather-resistant materials, the mount ensures a sturdy and enduring foundation for your Starlink, capable of withstanding various environmental conditions. Its elongated design allows for greater flexibility in positioning, enabling easy alignment and adjustment to maximize signal reception.

Easy to install and adjust, the wall mount comes with all necessary hardware and instructions, simplifying the setup process for a hassle-free experience.

Compatibility:

Starlink Mini, 4" Overhang Maximum

Kit Contents:

Wall Mount, Silicone,
2x Lag Screws, 20x Cable Routing Clips

Recommended Tools:

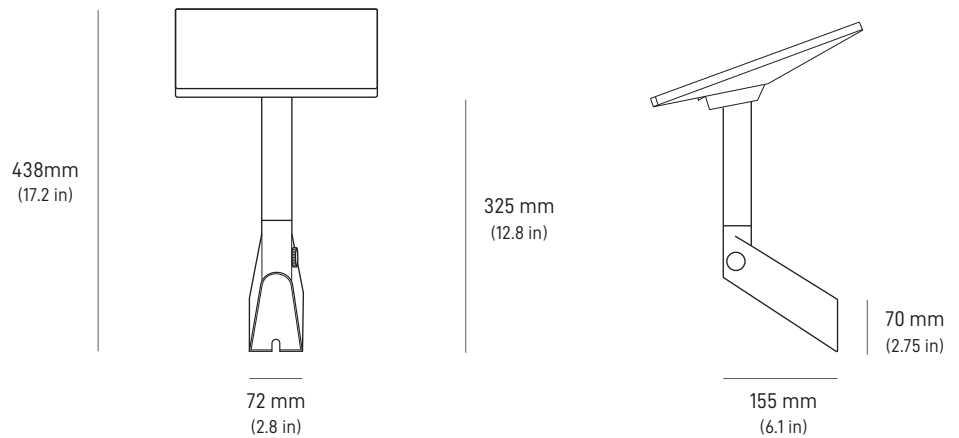
Drill, 6 mm (1/4 in) Drill Bit,
9/16 in Hex Socket, Marker, Level

Package Dimensions:

270 x 360 x 95 mm (10.6 x 14.2 x 3.7 in)

Package Weight:

1.5 kg (3.3 lbs)



The Starlink Mini Pivot Mount is perfect for installation on slanted, shingled roofs. Designed for ease of use and flexibility, the Pivot Mount swiveling mechanism enables effortless fine-tuning, adapting to various angles and directions, thus maximizing the performance of your Starlink.

Crafted from durable, weather-resistant materials, the mount ensures a sturdy and enduring foundation for your Starlink, capable of withstanding various environmental conditions. Its elongated design allows for greater flexibility in positioning, enabling easy alignment and adjustment to maximize signal reception.

The Pivot Mount is engineered for easy installation and is accompanied by all necessary hardware and user-friendly instructions, ensuring a hassle-free setup process.

Compatibility:

Starlink Mini

Kit Contents:

Pivot Mount, 2x Sealant Tape Squares,
2x Sealant Tape Strips, 2x Lag Screws,
20x Cable Routing Clips

Recommended Tools:

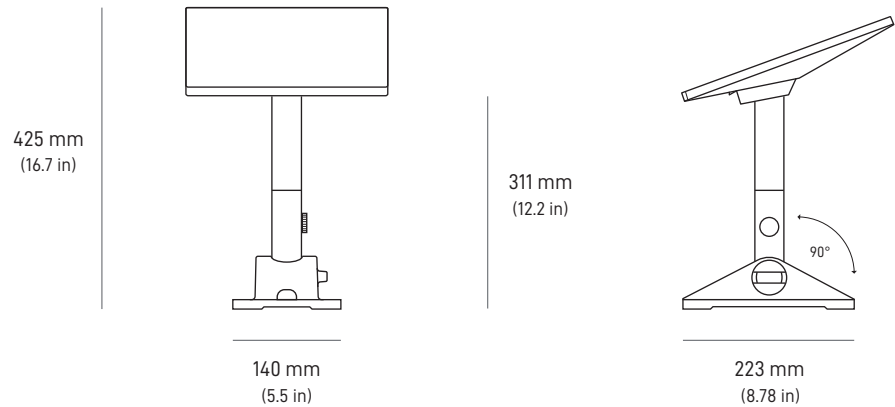
Drill, 6 mm (1/4 in) Drill Bit,
9/16 in Hex Socket, Marker, Level

Package Dimensions:

270 x 360 x 95 mm (10.6 x 14.2 x 3.7 in)

Package Weight:

1.8 kg (4.0 lbs)



MINI STARLINK CABLE | 15 m (49.2 ft)

The 15 m (49.2 ft) Mini Starlink Ethernet Cable is designed to be used in the RJ45 connectors between the Starlink Mini and Starlink Gen 3 router or third party routers and devices to provide a waterproof seal and protect against water ingress.

Compatibility:

Starlink Mini, Gen 3 Router

Cable Length:

15 m (49.2 ft)

Package Dimensions:

135 x 50 x 360 mm (5.3 x 2 x 14.2 in)

Package Weight:

1 kg (2.2 lbs)

