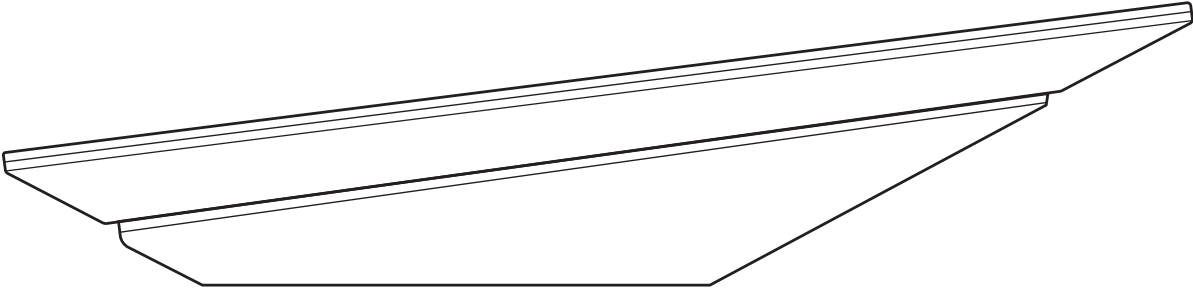


STARLINK | FLAT HIGH PERFORMANCE KIT ACCESSORIES



Available to purchase after receiving your order confirmation email.

Designed to attach to any pole with a max diameter of 2.4 in (62 mm)

Requires Wedge Mount that comes with Flat High Performance Kit.

Compatibility:

Flat High Performance

Recommended Tools:

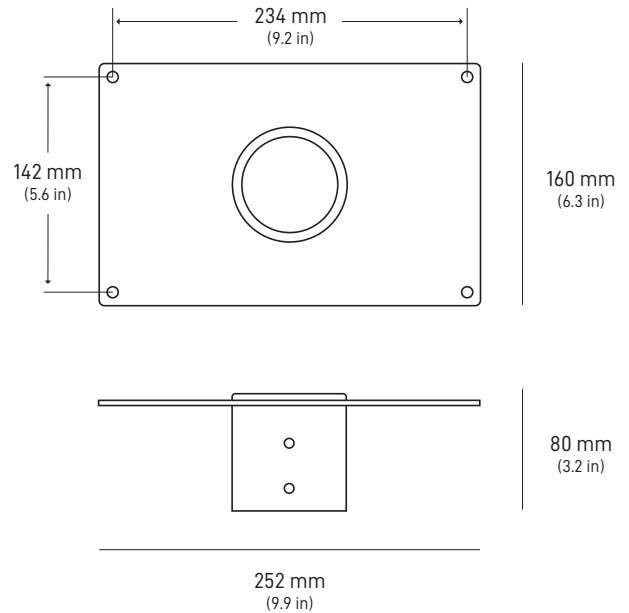
7/16 in (11.1 mm) Wrench, 5/32 in (4 mm) Hex Key

Package Dimensions:

26.4 x 16.5 x 7.9 cm (10.4 x 6.5 x 3.1 in)

Package Weight:

1.1 kg (2.4 lbs)



The Gen 3 Router introduces WiFi 6 and tri-band radios to Starlink. With improved range, performance, and device support, the Starlink Gen 3 router will extend your WiFi network throughout your home to provide a more consistent and reliable connection with faster speeds.

The Gen 3 Router can be purchased to mesh with your existing Starlink router setup or you can replace your existing Gen 1 or Gen 2 router.

Note - Replacing Gen 2 router with Gen 3 router requires an Ethernet Adapter and bypass mode. See the installation guides below for setup details and suggested tips.

Compatibility:

Standard
Flat High Performance

Mesh Compatibility:

Gen 2 Router
Gen 3 Router

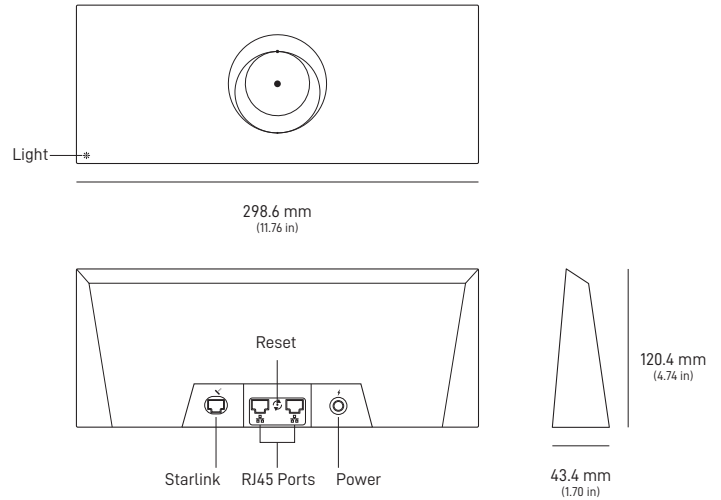
*Not compatible with 3rd party mesh systems.

Package Dimensions:

55 x 300 x 120 mm (2.4 x 11.8 x 4.7 in)

Package Weight:

2.7 kg (6 lbs)



The Router Mount is designed to mount the Gen 3 Router directly to a wall or other surface.

It is ideal for home or office use when no desk space is available, or for mobility applications where space efficiency is paramount.

Once the Router Mount is installed, the Gen 3 Router is easily snapped into place and cable retention ensures the cables are not accidentally pulled out.

Compatibility:

Gen 3 Router

Recommended Tools:

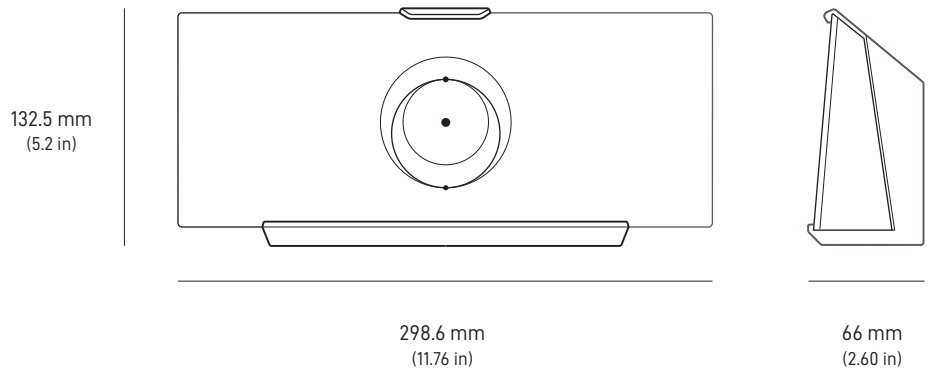
Drill, Marker, #2 Phillips Screwdriver, 4 mm (5/32 in) Drill bit (no anchors) or 7 mm (9/32 in) Drill bit (wall anchors)

Package Dimensions:

250 x 165 x 85 mm (9.8 x 6.5 x 3.3 in)

Package Weight:

0.34 kg (0.75 lbs)



Starlink Mesh WiFi Routers wirelessly extend your WiFi network throughout your home to provide a more reliable connection and faster speeds to areas where extra coverage may be needed.

*Requires Starlink App

Compatibility:

Standard
High Performance
Flat High Performance

Mesh Compatibility:

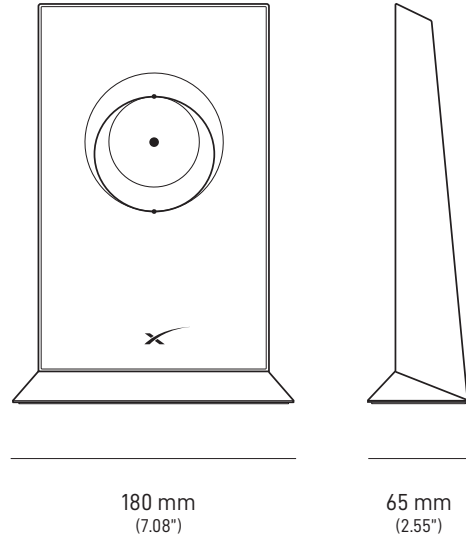
Gen 3 Router
Gen 2 Router

Package Dimensions:

22.4 x 28.6 x 10 cm (8.8 x 11.3 x 4 in)

Package Weight:

1.72 kg (3.75 lbs)



Designed to connect a device directly to the Starlink Router for a wired connection.
Supports up to 1 Gbps speeds.

Compatibility:

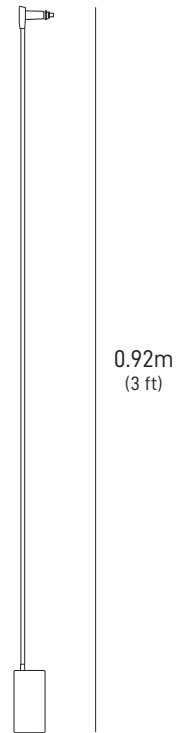
Standard
Gen 2 Router

Package Dimensions:

16.5 x 11.4 x 3.6 cm (6.5 x 4.5 x 1.5 in)

Package Weight:

0.15 kg (0.33 lbs)



25 m (82 ft) Starlink Cable is designed to replace the cable between the Flat High Performance and the Power Supply when additional length is needed.

Compatibility:

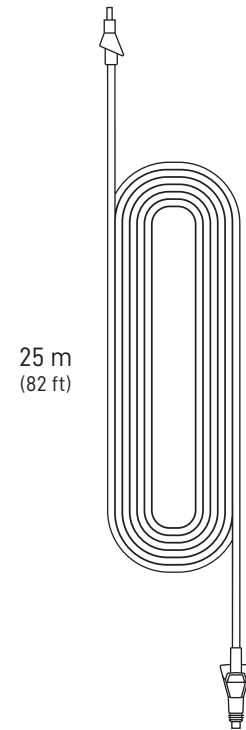
Flat High Performance

Package Dimensions:

22 x 51.6 x 6.4 cm (8.7 x 20.3 x 2.5 in)

Package Weight:

2.9 kg (6.39 lbs)



8 m (26.2 ft) Starlink Cable is designed to replace the cable between the Flat High Performance Starlink and the Power Supply in case of damage.

Compatibility:

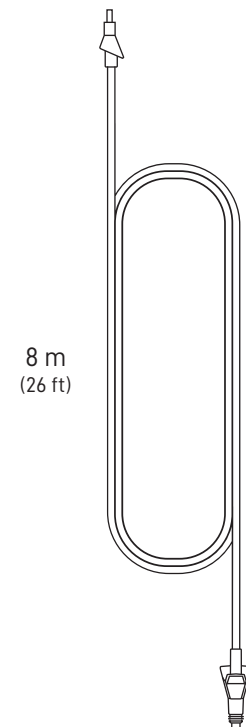
Flat High Performance

Package Dimensions:

22 x 51.6 x 6.4 cm (8.7 x 20.3 x 2.5 in)

Package Weight:

0.9 kg (2.0 lbs)



The 2 m (6.5 ft) Router Cable is designed to replace the standard cable from the High Performance Starlink Kit between the Power Supply and the Starlink Router in case of damage.

Compatibility:

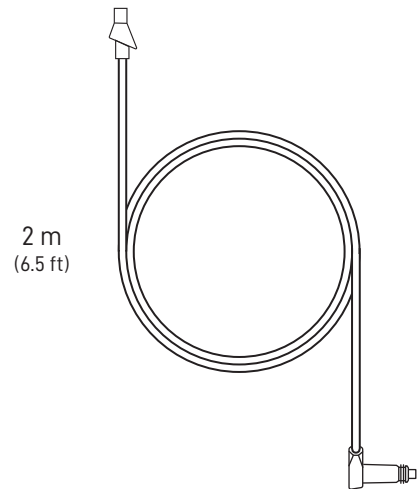
High Performance
Flat High Performance
Gen 2 Mesh Wifi Router

Package Dimensions:

22.5 x 21 x 6 cm (8.9 x 8.3 x 2.4 in)

Package Weight:

0.42 kg (0.93 lbs)



The 5 m (16.5 ft) Ethernet Cable is designed to replace the cable from the High Performance Starlink Kit between the Power Supply and the RJ45 connector (for third party routers or devices).

Compatibility:

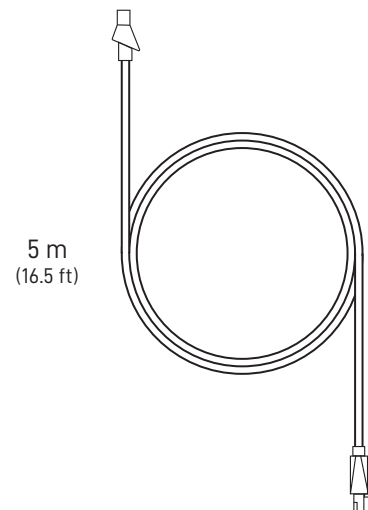
High Performance
Flat High Performance

Package Dimensions:

22.5 x 21 x 6 cm (8.9 x 8.3 x 2.4 in)

Package Weight:

0.42 kg (0.93 lbs)



Designed for drilling through most walls.

Not recommended for masonry, concrete, or hard coat stucco. Best for customers with prior internet cable routing experience and installation; must be comfortable drilling through walls. Kit includes a spade bit, drill bit, cable routing tool, silicone sealant, grommets, and wall clips.

Compatibility:

Standard
High Performance
Flat High Performance

Recommended Tools:

Drill, Stud / Electrical Finder

Package Dimensions:

34.9 x 13.3 x 4.4 cm (3.75 x 5.25 x 1.75 in)

Package Weight:

0.38 kg (0.83 lbs)



Designed for drilling through masonry, concrete or hard coat stucco (excluding EIFS) walls. Best for customers with prior internet cable routing experience and installation; must be comfortable drilling through walls. Kit includes a spade bit, drill bit, cable routing tool, silicone sealant, grommets, and wall clips.

Compatibility:

Standard
High Performance
Flat High Performance

Recommended Tools:

Hammer, Hammer Drill, Phillips Head Drill Bit, Stud / Electrical Finder, Goggles, Gloves, and Mask

Package Dimensions:

35.2 x 16.5 x 4.4 cm (13.875 x 6.5 x 1.75 in)

Package Weight:

1.0 kg (2.1 lbs)

