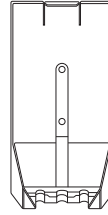


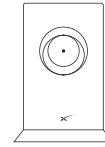
Dish



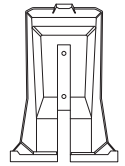
Power Supply



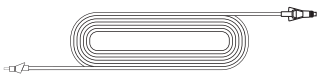
Power Supply Mount



Router



Router Mount



Starlink Cable
8 m
(26.2 ft)



Ethernet Cable
5 m
(16.5 ft)



Router Cable
2 m
(6.5 ft)

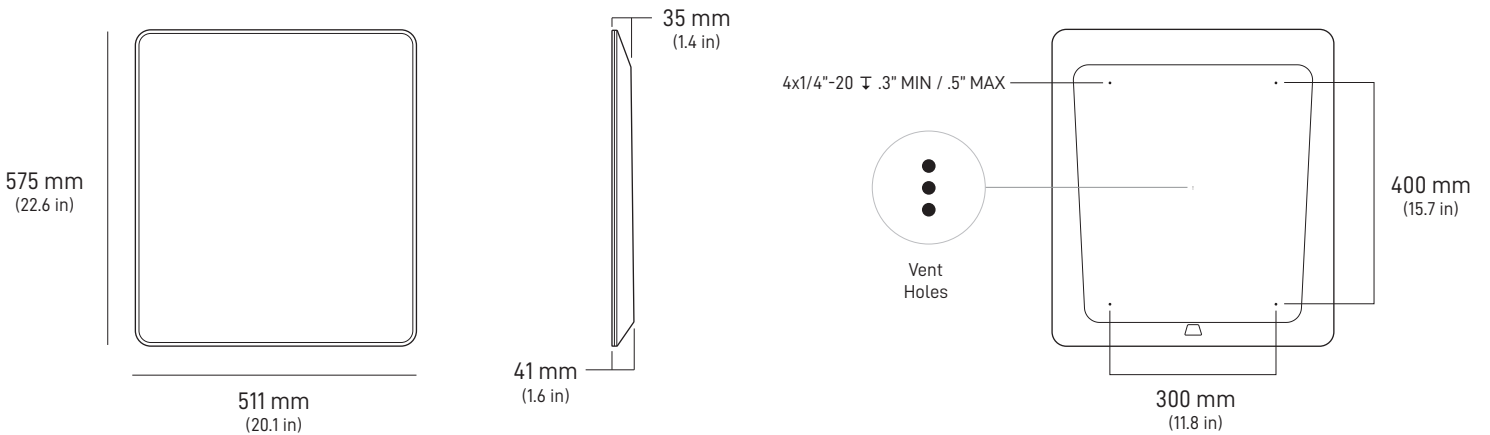


AC Cable (Power Supply)
1.8 m
(6 ft)

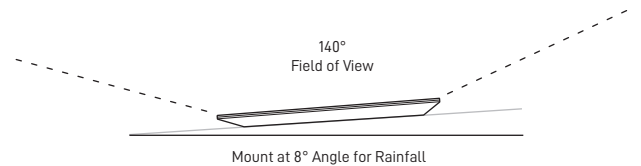


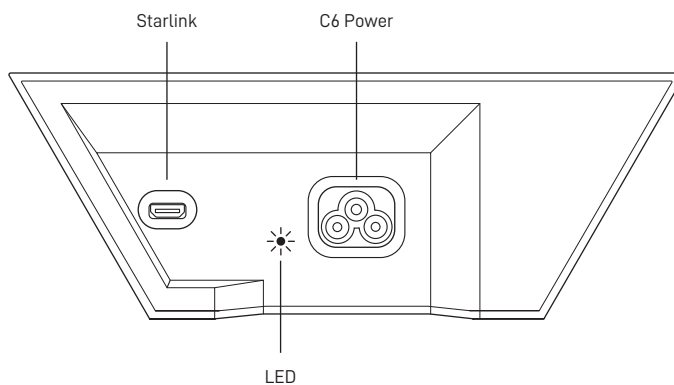
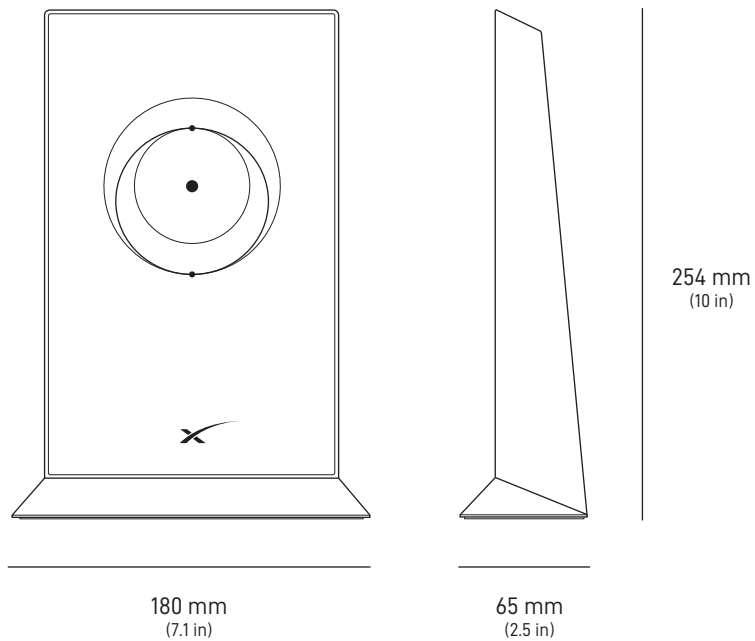
AC Cable (Router)
1.8 m
(6 ft)

FLAT HIGH PERFORMANCE

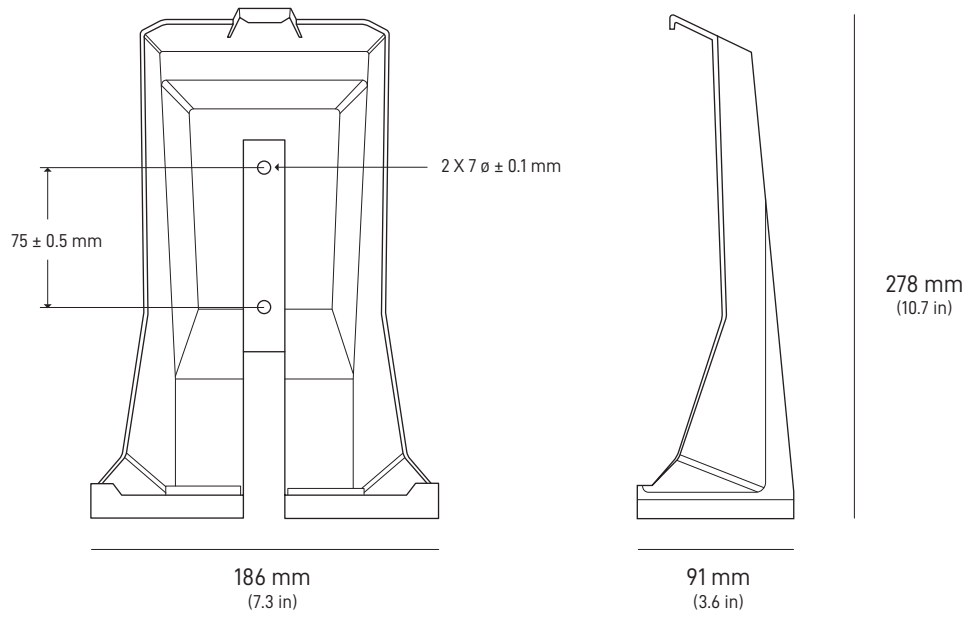


| | |
|------------------------------|---|
| Antenna | Electronic Phased Array |
| Field of View | 140° |
| Orientation | Fixed |
| Dish Weight | 5.9 kg / 13 lbs without Cable 6.7 kg / 15 lbs with 8 m / 26.2 ft Cable |
| Environmental Rating | IP56 |
| Operating Temperature | -30°C to 50°C (-22°F to 122°F) |
| Wind Speed | Survivable: 280 kph+ (174 mph+) |
| Snow Melt Capability | Up to 75 mm / hour (3 in / hour) |
| Power Consumption | Average: 110-150 W |
| Wi-Fi | Dual Band Wi-Fi 5 - 3x3 MIMO |
| User LAN | RJ45 Cable |

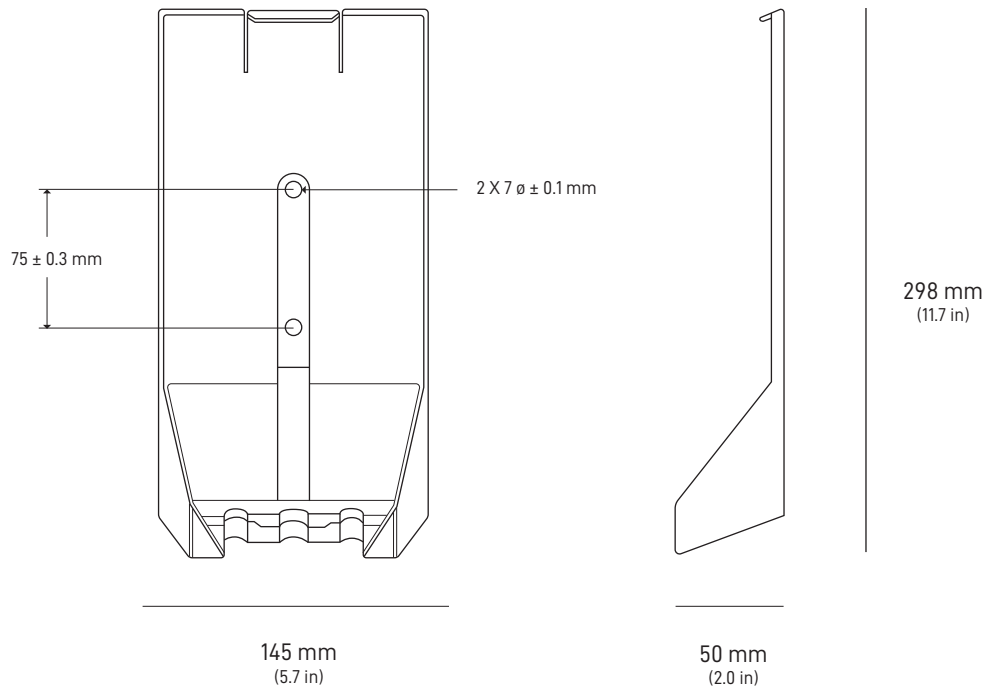


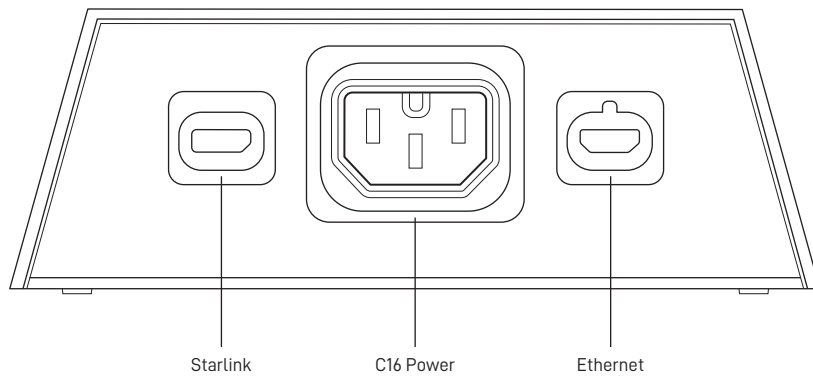
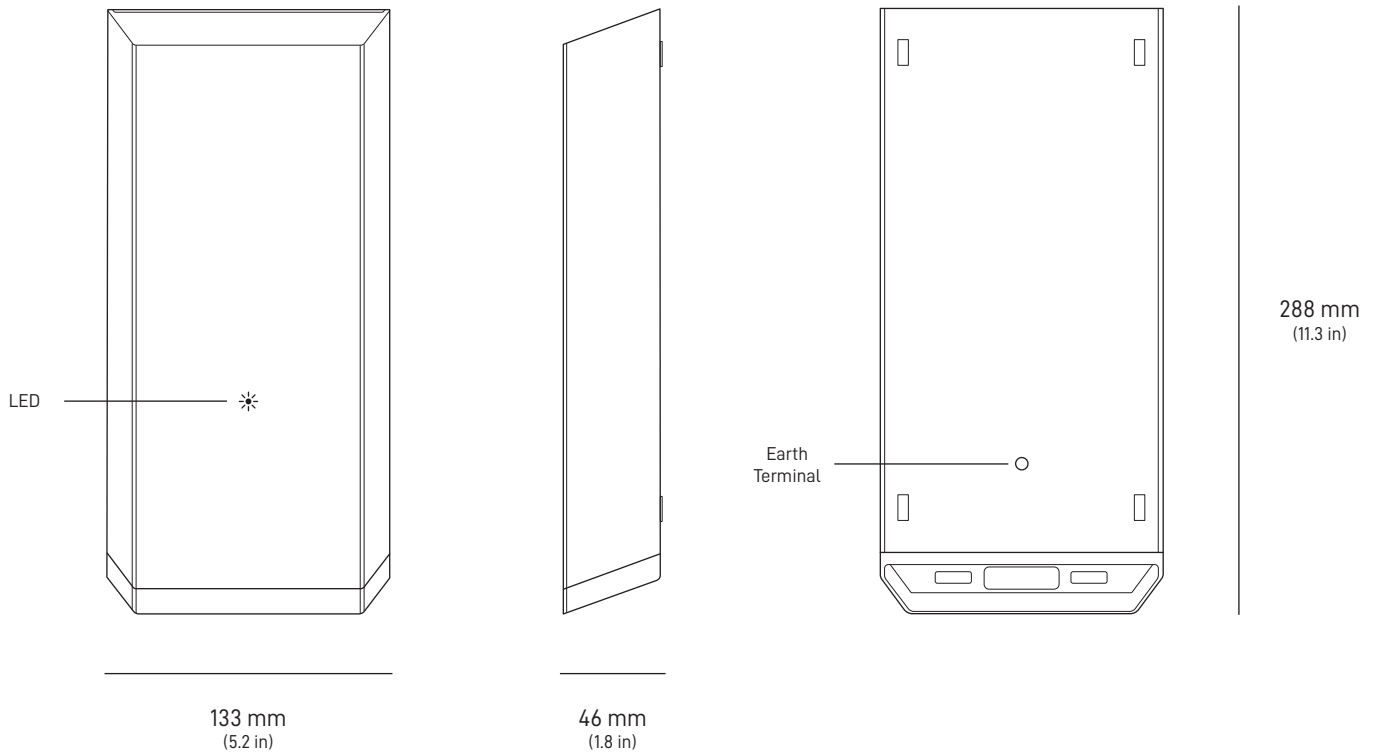


| | |
|------------------------------|---|
| Wi-Fi Technology | 802.11ac Dual Band |
| Generation | Wi-Fi 5 |
| Radio | Dual Band -3 x 3 MIMO |
| Operating Temperature | -30°C to 50°C (-22°F to 122°F) |
| Weight | 1 kg (2.2 lbs) |
| Security | WPA2 |
| Range | Up to 185 m ² (2000 ft ²) *Varies on placement, interference, and materials |
| Environmental Rating | IP54 - Configured for Indoor Use |
| Power Indicator | White LED Base of Router |
| Mesh Compatibility | Compatible with up to 12 Starlink Nodes |
| Devices | Connect up to 128 devices |

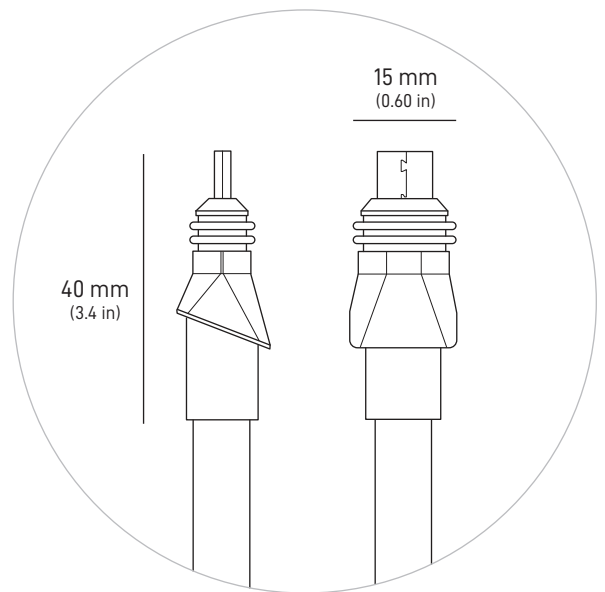
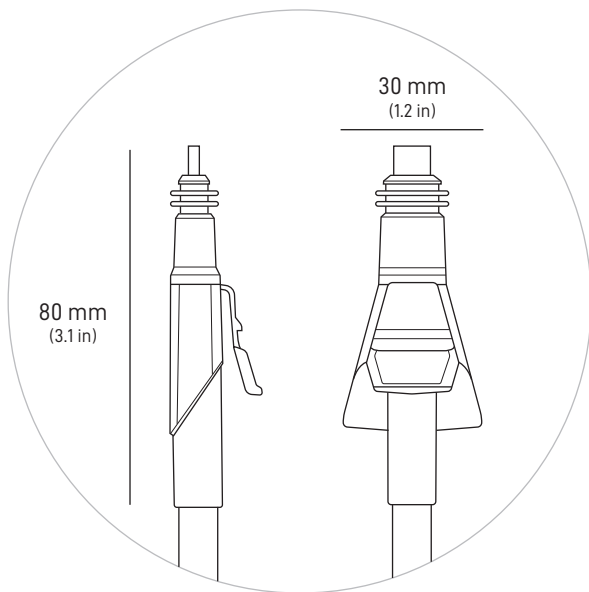
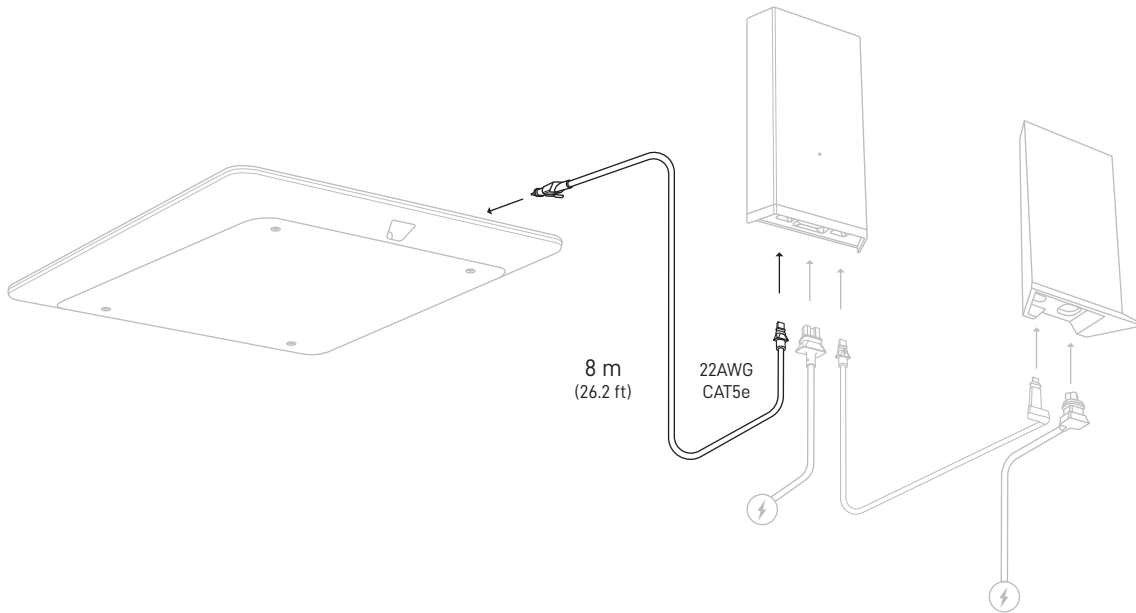


POWER SUPPLY MOUNT

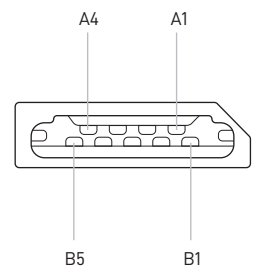


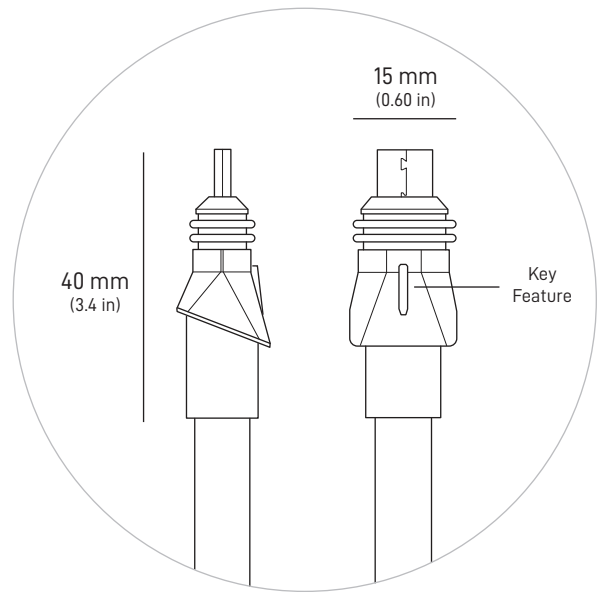
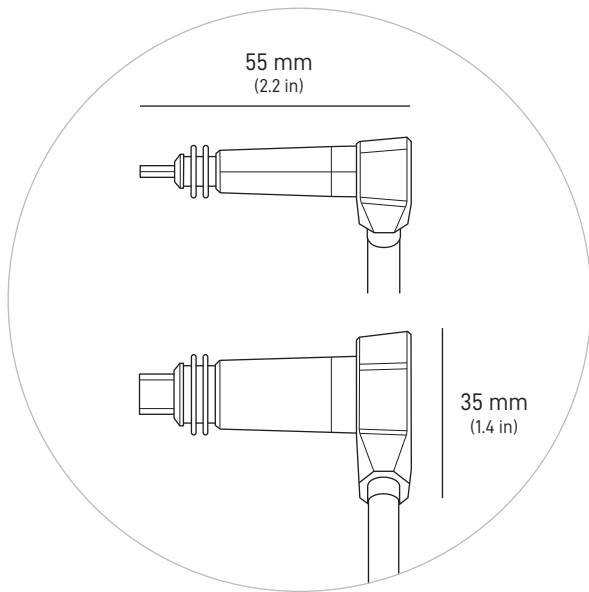
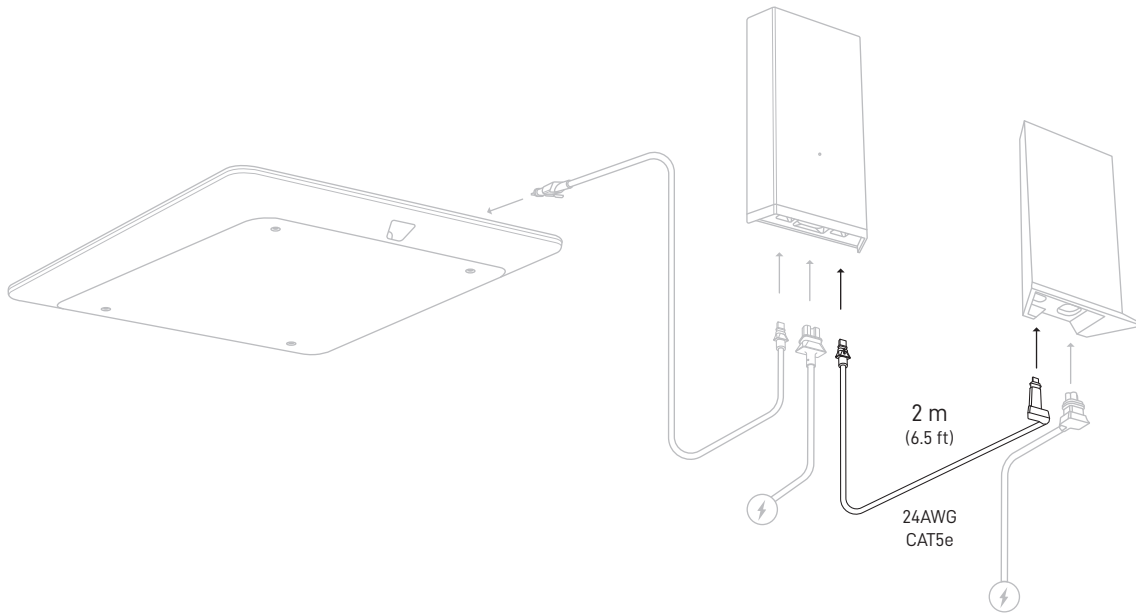


| | |
|------------------------------|------------------------------|
| Environmental Rating | IP56 |
| Operating Temperature | -30°C to 50°C (-22 to 122°F) |
| Weight | 1.5kg (3lbs) |
| Grounding | Dedicated Earth Terminal |
| Power Specifications | 100-240V - 6.3A 50 - 60 Hz |
| Mounting | Included Wall Mount |

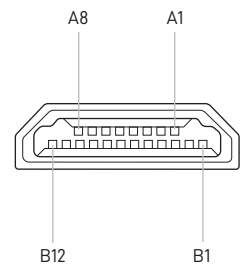


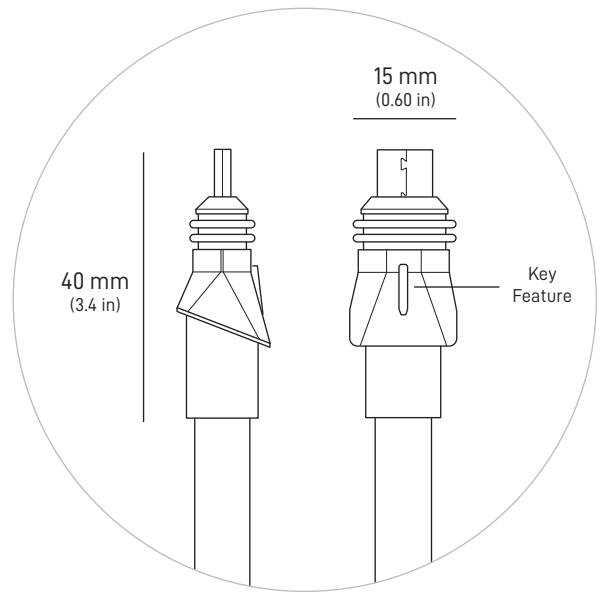
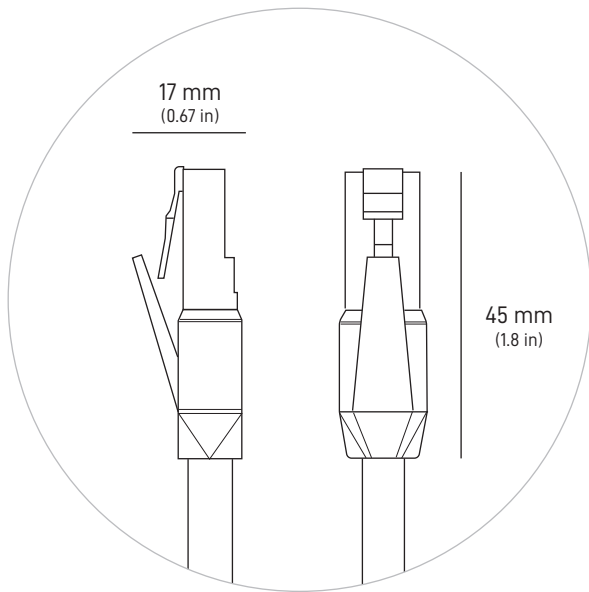
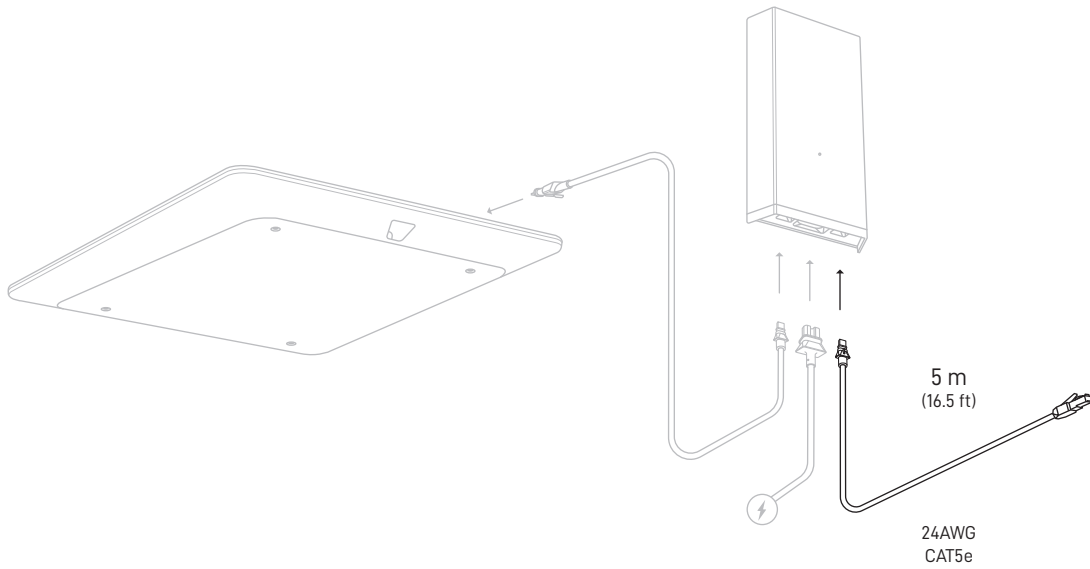
| End | Pin | Wire Color | Pin | End |
|------|-----|----------------|-----|--------------|
| Dish | A1 | Green | A1 | Power Supply |
| | A2 | Yellow | A2 | |
| | A3 | Blue | A3 | |
| | A4 | White | A4 | |
| | B1 | Orange | B1 | |
| | B2 | Purple | B2 | |
| | B3 | Brown | B3 | |
| | B4 | Gray | B4 | |
| | B5 | Shield / Shell | B5 | |





| End | Pin | Ethernet Pin | Wire Color | Pin | End |
|-------|------------|--------------|--------------|----------|--------------|
| Wi-Fi | A1, A2 | B+ | Orange White | A1, A2 | Power Supply |
| | A3, A4 | B- | Orange | A3, A4 | |
| | A5, A6 | A+ | Green White | A5, A6 | |
| | A7, A8 | A- | Green | A7, A8 | |
| | B1, B2 | -- | N / C | B1, B2 | |
| | B3, B4 | -- | N / C | B3, B4 | |
| | B5 | D+ | Brown White | B5 | |
| | B6 | D- | Brown | B6 | |
| | B7 | C- | Blue White | B7 | |
| | B8 | C+ | Blue | B8 | |
| | B9, B10 | -- | N / C | B9, B10 | |
| | B11, B12 | -- | N / C | B11, B12 | |
| | Shield Can | | Drain Wire | Shell | |





| End | Pin | Ethernet Pin | Wire Color | Pin | End |
|------|------------|--------------|--------------|----------|--------------|
| RJ45 | A1, A2 | B+ | Orange White | A1, A2 | Power Supply |
| | A3, A4 | B- | Orange | A3, A4 | |
| | A5, A6 | A+ | Green White | A5, A6 | |
| | A7, A8 | A- | Green | A7, A8 | |
| | B1, B2 | -- | N / C | B1, B2 | |
| | B3, B4 | -- | N / C | B3, B4 | |
| | B5 | D+ | Brown White | B5 | |
| | B6 | D- | Brown | B6 | |
| | B7 | C- | Blue White | B7 | |
| | B8 | C+ | Blue | B8 | |
| | B9, B10 | -- | N / C | B9, B10 | |
| | B11, B12 | -- | N / C | B11, B12 | |
| | Shield Can | | Drain Wire | Shell | |

