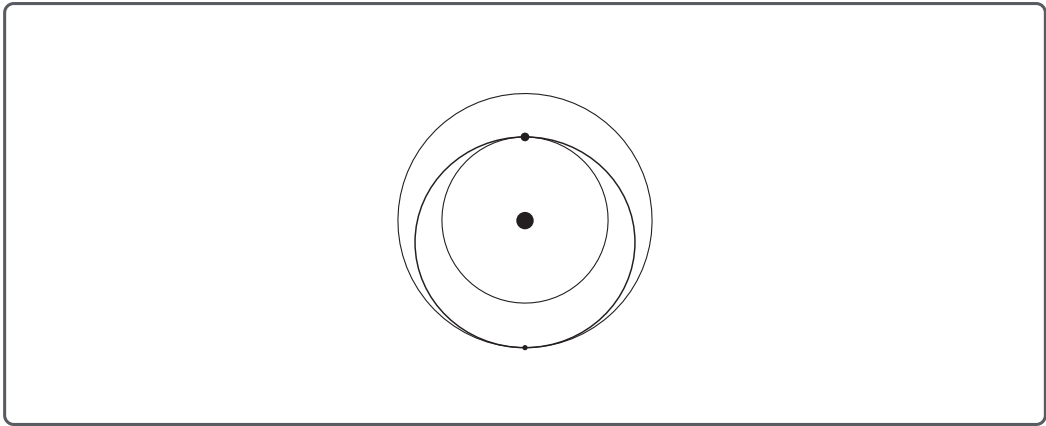
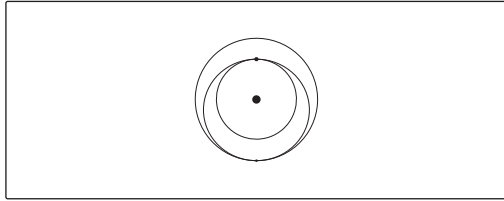


STARLINK | GEN 3 ROUTER SPECIFICATIONS (HIGH PERFORMANCE KIT)



GEN 3 WIFI ROUTER



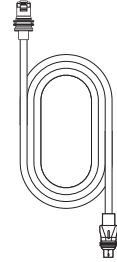
Gen 3 Router



Starlink Plug

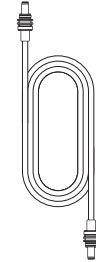


RJ45 Cover



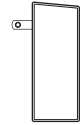
Gen 3 Router HP Cable

1.5 m
(4.92 ft)

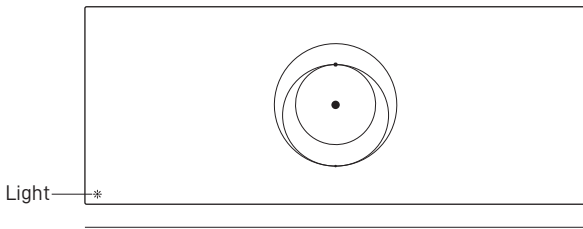


Gen 3 Router Power Cable

1.5 m
(4.92 ft)

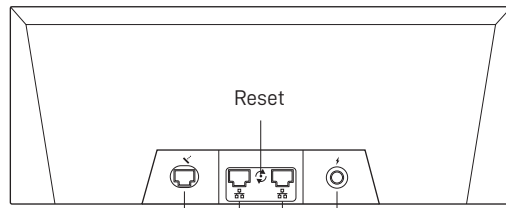


Power Supply

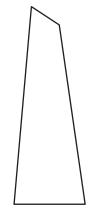


Light*

298.6 mm
(11.76 in)



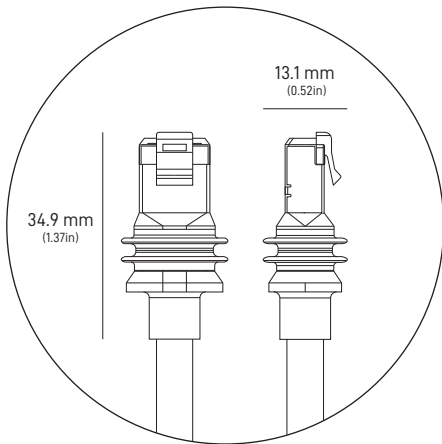
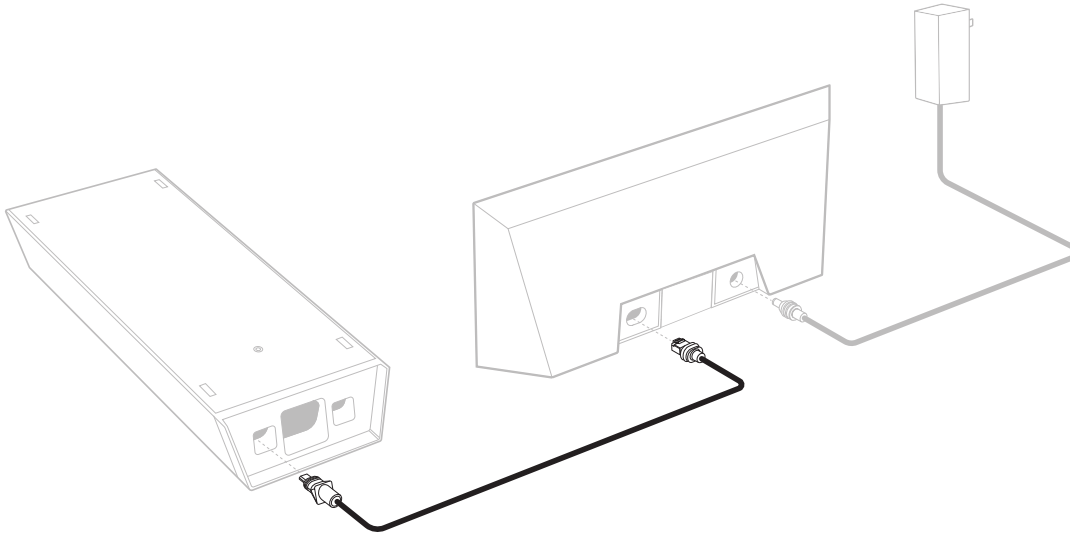
Starlink RJ45 Ports Power



120.4 mm
(4.74 in)

43.4 mm
(1.70 in)

Product Dimensions	2.4" x 11.8" x 4.7" / 55 x 300 x 120 mm
Package Dimensions	14.25" x 6" x 4" / 361 x 154 x 101 mm
Package Weight	6 lbs / 2.7 kg
Wi-Fi Technology	802.11 a/b/g/n/ac/ax
Generation	WiFi 6
Radio	Tri Band 4 x 4 MU-MIMO
Ethernet Ports	Two (2) Latching Ethernet LAN ports with removable cover.
Operating Temperature	-22°F to 122°F / -30°C to 50°C
Weight	2.2 lbs / 1 kg
Security	WPA2
Environmental Rating	IP56 Rated (Water Resistant), configured for indoor use.
Power Indicator	LED face plate, left corner router
Mesh Compatibility	Compatible with Starlink Gen 2 and Gen 3 Mesh nodes. *Not compatible with 3rd party mesh systems.
Devices	Connect up to 235 devices



Pin	Wire Color	Pin
A1	Green	A1
A2	Yellow	A2
A3	Blue	A3
A4	White	A4
B1	Orange	B1
B2	Purple	B2
B3	Brown	B3
B4	Gray	B4
B5	Shield / Shell	B5

